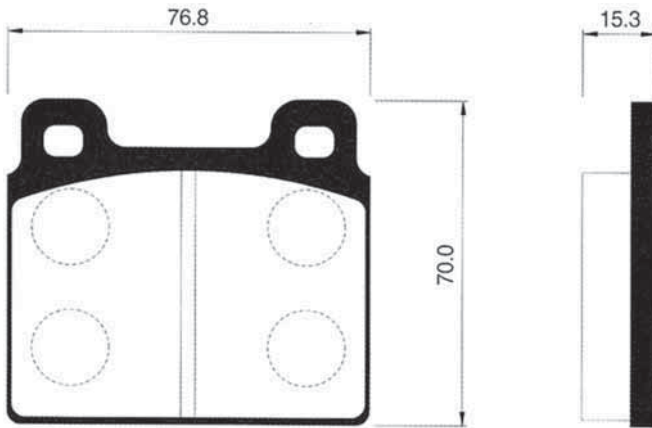
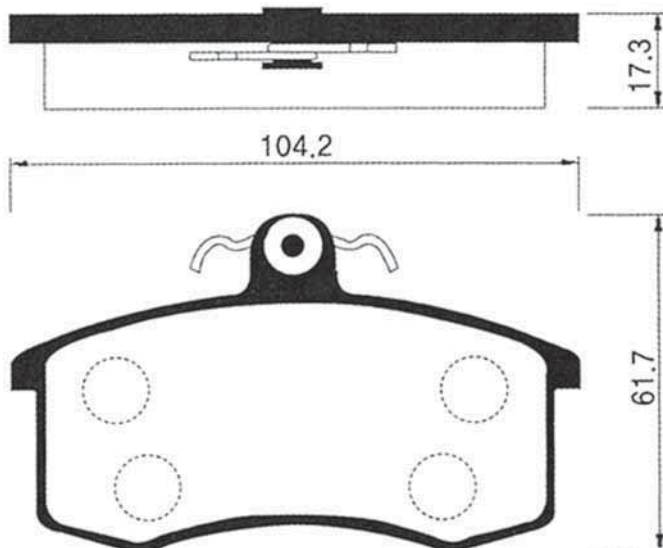


| | | | |
|------------|----------------|-----------|---|
| 145 | E_S No. | PO | MAKER |
| | ESD1000 | FR | ALFA ROMEO, BMW, FERRARI, OPEL, PORCH MONTREAL, SPIDER, VOLOCE, COUPE G.T.246, GT DINO |



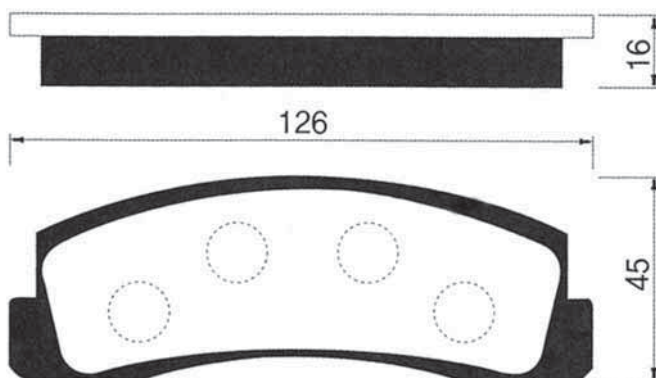
| | |
|-----------|--------|
| SP NO. | |
| WVA | 20011 |
| O. E. No. | |
| M.K | |
| A.K.E | |
| BEND. | DB1135 |

| | | | |
|------------|----------------|-----------|-------------------------|
| 146 | E_S No. | PO | MAKER |
| | ESD1001 | FR | AUTOVAZ LADA |



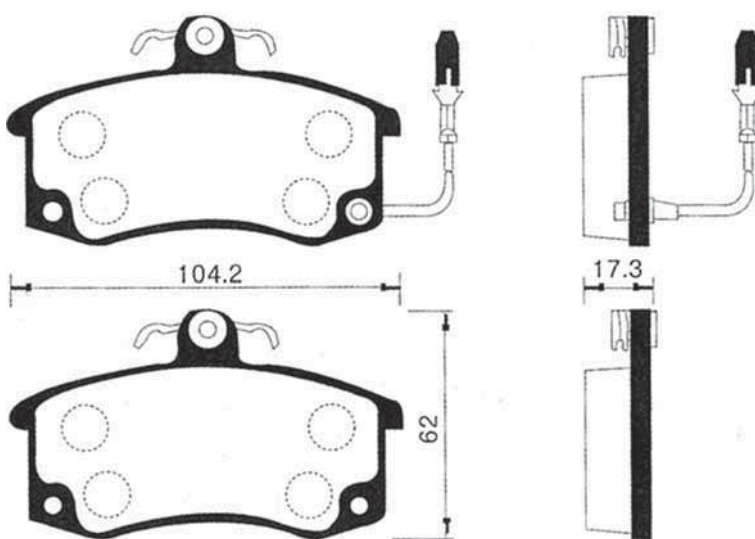
| | |
|-----------|--------|
| SP NO. | |
| WVA | 21170 |
| O. E. No. | |
| M.K | |
| A.K.E | |
| BEND. | DB1136 |

| 147 | E.S No. | PO | MAKER |
|-----|----------------|-----------|------------------------------|
| | ESD1002 | FR | AUTOVAZ LADA NIVA |



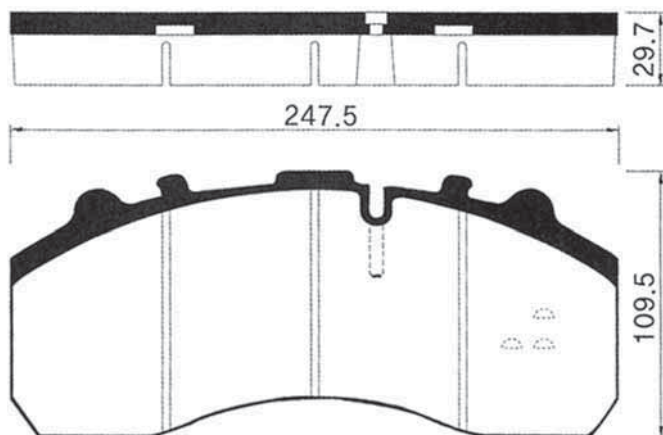
| | |
|------------------|----------------|
| SP NO. | SP1168 |
| WVA | 20660 |
| O. E. No. | 2121351090 |
| M,K | |
| A.K.E | |
| BEND. | FDB195 571265B |

| 148 | E.S No. | PO | MAKER |
|-----|----------------|-----------|---|
| | ESD1003 | FR | LADA, NISSAN, SEAT, VOLKSWAGEN 110, 112 NOVA-KALINA, SAMARA, VOLUMES |



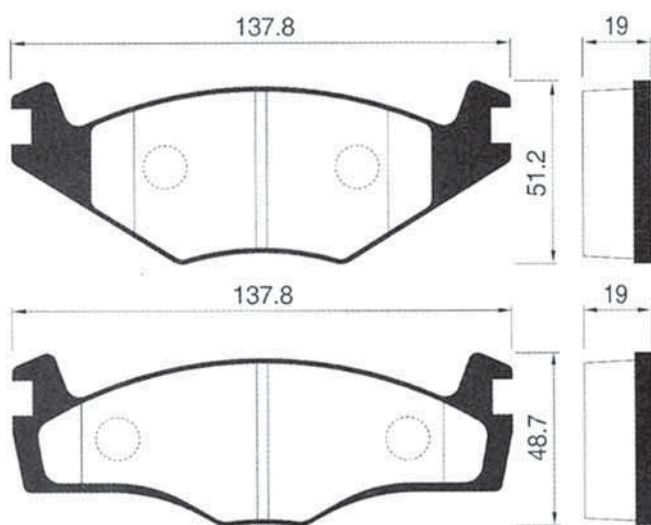
| | |
|------------------|--|
| SP NO. | SP1181 |
| WVA | 20887 20888 20889 |
| O. E. No. | ADB0281 41060-V4912 41060-V4963 867698151 191698151J 191698151G 191698151F |
| M,K | D1038 D1040 |
| A.K.E | A-142K A-143K |
| BEND. | 571315B 571316B |

| 149 | E_S No. | PO | MAKER |
|-----|----------------|-----------|------------------------------------|
| | ESD1004 | FR | IVECO COMMERCIAL VEHICLE |



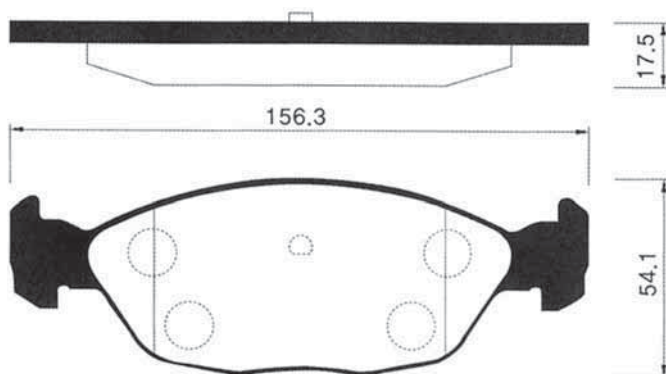
| |
|-----------|
| SP NO. |
| WVA |
| O. E. No. |
| M.K |
| A.K.E |
| BEND. |

| 150 | E_S No. | PO | MAKER |
|-----|----------------|-----------|---|
| | ESD1005 | FR | VOLKSWAGEN PASSAT CL5/GLF, PASSAT 1,3C/1,6C/1,8C, SANTANA |



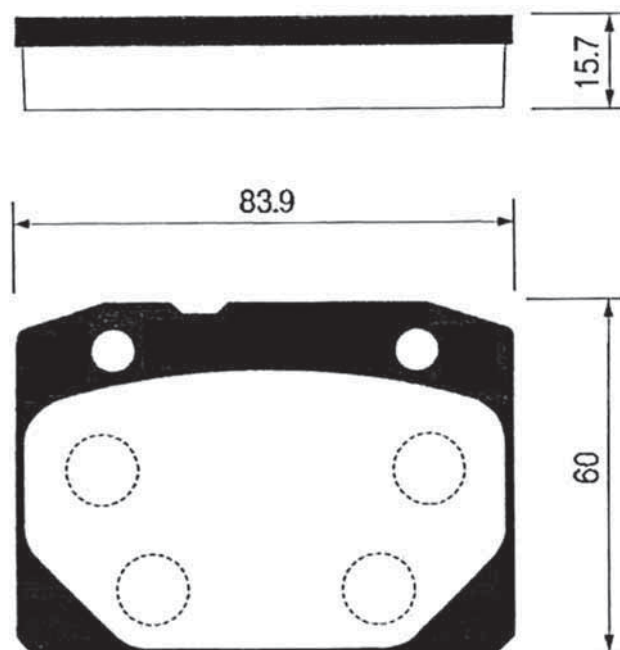
| | |
|-----------|---|
| SP NO. | SP1143 |
| WVA | 20887 20888 20889 21650 |
| O. E. No. | 191698151C 321698151G 191698151K 191698151D 191698151 321698151H 191698151H |
| M.K | D1038 D1040 |
| A.K.E | A-142K A-143K |
| BEND. | DB399 DB400 |

| | E.S No. | PO | MAKER |
|------------|----------------|-----------|------------------------------------|
| 151 | ESD1006 | FR | VOLKSWAGEN SANTANA 2000 |



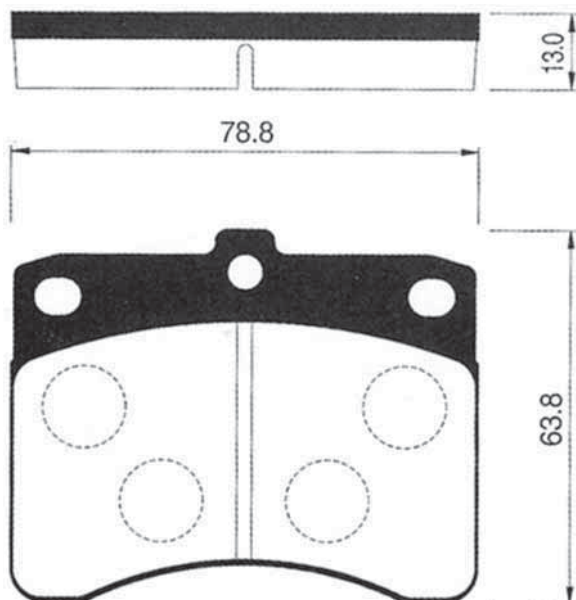
| |
|-----------|
| SP NO. |
| WVA |
| O. E. No. |
| M,K |
| A.K.E |
| BEND. |

| | E.S No. | PO | MAKER |
|------------|----------------|-----------|---|
| 152 | ESD1007 | FR | LADA NOVA-KALINA, RIVAESTATE, RIVATARGA, TOSCANA |



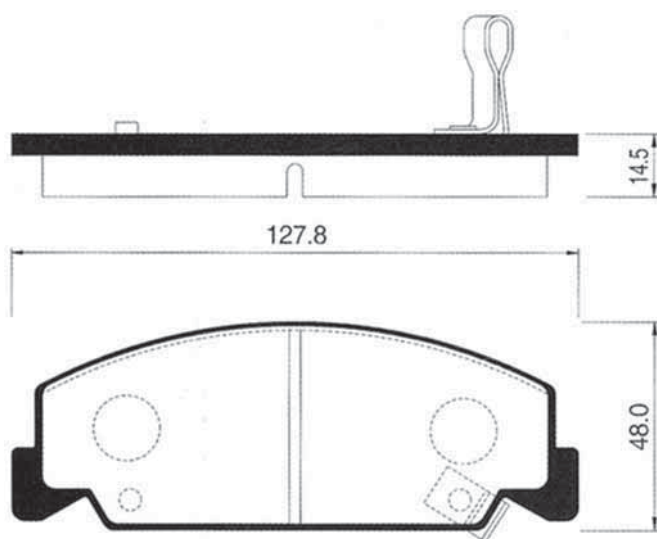
| |
|---|
| SP NO. |
| SP1199 |
| WVA |
| 20166 |
| O. E. No. |
| ADB2794 21ADB2794 21013501089 21013501090 2.10135E+11 |
| M,K |
| A.K.E |
| BEND. |
| 571202B |

| 153 | E_S No. | PO | MAKER |
|-----|----------------|-----------|---|
| | ESD1100 | FR | DAIHATSU, MAZDA, NISSAN, TOYOTA MIRA L200/L201, HANDIVAN S75/S76/L80, HI-JET S85V |



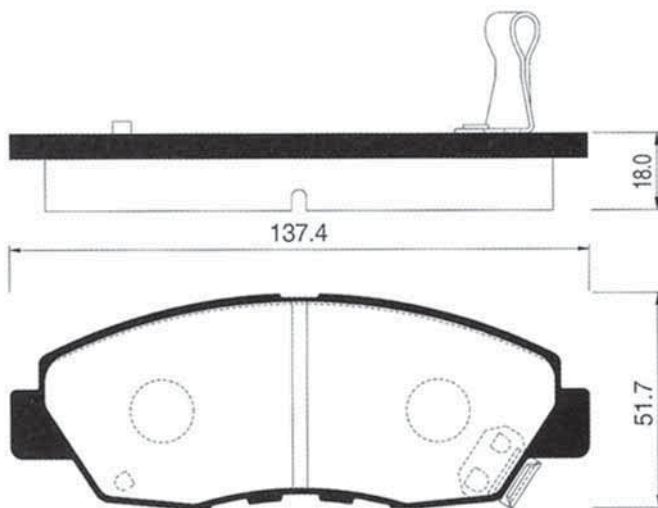
| | |
|------------------|--|
| SP NO. | SP1124 |
| WVA | 20780 |
| O. E. No. | 04491-87222-000 04491-87501 04491-87233-000 04491-87511 0491-87510-000 04491-87223-000 04491-87503 |
| M.K | D0004 |
| A.K.E | A-216K AN-216K |
| BEND. | DB435 572118B |

| 154 | E_S No. | PO | MAKER |
|-----|----------------|-----------|--|
| | ESD1200 | FR | HONDA, NISSAN ACCORD 2&4 DR, CIVIC 3&4, DR HATCHBACK |



| | |
|------------------|---|
| SP NO. | SP1108 |
| WVA | 21330 21331 21332 |
| O. E. No. | 45022-SB2-980 45022SH1L50 45022SH3G12 |
| M.K | D5037 |
| A.K.E | A-167WK AN-459WK |
| BEND. | DB390 572284B |

| 155 | E.S No. | PO | MAKER |
|-----|----------------|-----------|---|
| | ESD1201 | FR | HONDA, NISSAN, TOYOTA ACCORD V6 4DR, SEDAN VTi2,3 |



| SP NO. |
|--------|
| SP1109 |

| WVA |
|-------------------------|
| 21497 21498 21499 |

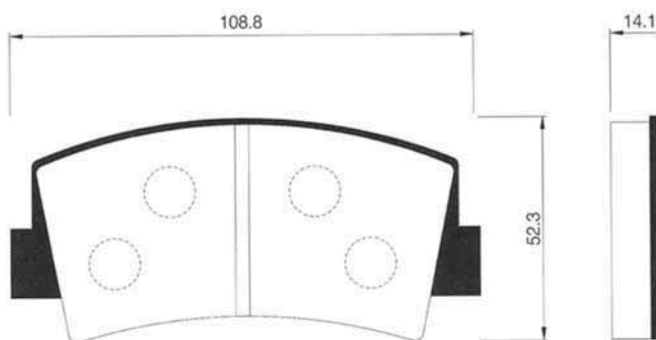
| O. E. No. |
|---|
| 45022-SM4-A02 45022-S10-020 45022SY8A02 06450-S5D-A01 45022S4KA00 45022-S01-A01 45022SM4517 |

| M,K |
|-----------------|
| D5080M D5091 |

| A.K.E |
|-------------------|
| A-455WK AN-662 |

| BEND. |
|-------------------|
| DB1191 572349B |

| 156 | E.S No. | PO | MAKER |
|-----|----------------|-----------|--|
| | ESD1202 | FR | HONDA, MAZDA, ISUZU 929, RX2, RX4, RX7, B1800 PICK UP, COURIER PICK UP |



| SP NO. |
|--------|
| SP1012 |

| WVA |
|-------|
| 20313 |

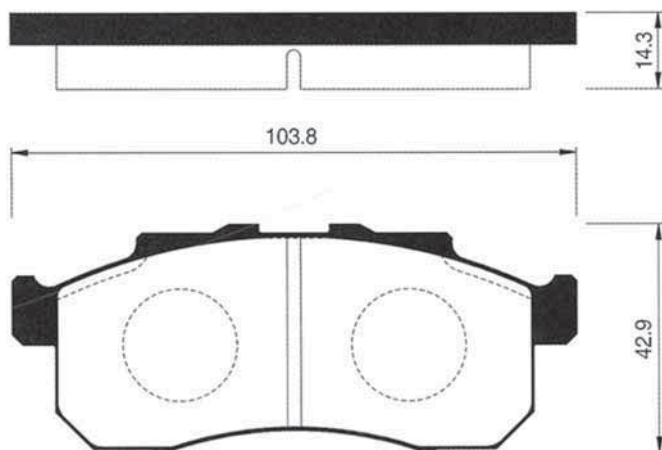
| O. E. No. |
|--|
| 211349280A 0305-33-625 8308-49-280 887149230 0305-33-725 887149280A 5-47619033-0 |

| M,K |
|-----------------|
| D3003 D4002M |

| A.K.E |
|-----------------|
| AN-76K A-76K |

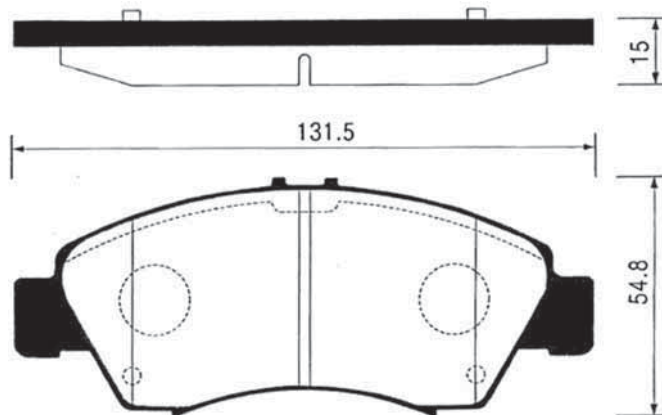
| BEND. |
|-----------------|
| DB40 571809B |

| | | | |
|------------|----------------|-----------|--|
| 157 | E,S No. | PO | MAKER |
| | ESD1203 | FR | HONDA, NISSAN, TOYOTA STREET 660 |



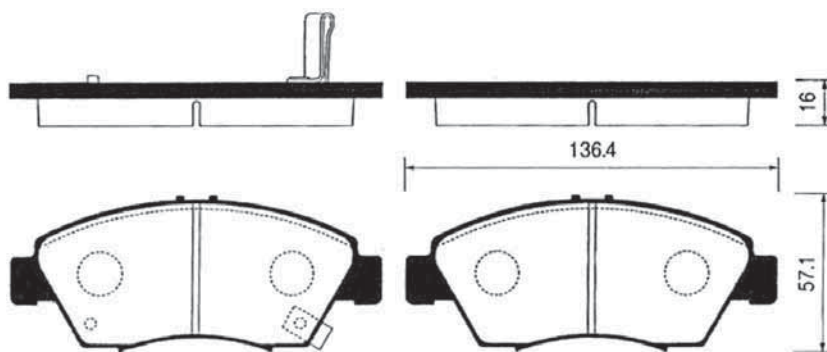
| | |
|-----------|---|
| SP NO. | SP1129 |
| WVA | |
| O. E. No. | 45022-SC2-050 45022-SJ6-325 45022-S3A-000 45022-SJ6-010 45022-SF4-010 45022-SD5-020 45022-SJ6-J02 |
| M,K | D5034 D5083 |
| A.K.E | A-332K A-416WK |
| BEND. | |

| | | | |
|------------|----------------|-----------|---|
| 158 | E,S No. | PO | MAKER |
| | ESD1204 | FR | HONDA, ISUZU CAPA, CITY, CIVIC V, COUP, CIVIC VI, FITARIA, LOGO |



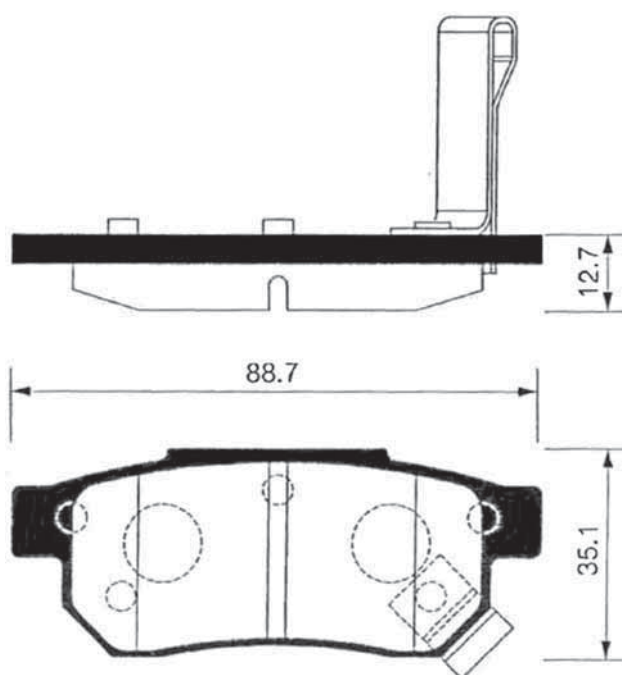
| | |
|-----------|---|
| SP NO. | SP2032 |
| WVA | 21697 21698 21699 |
| O. E. No. | 45022-SEL-T01 06450-S7H-000 45022-S2G-000 45022-SAA-G00 45022-S04-J02 45022-SR7-010 45022-S04-010 |
| M,K | D5037 |
| A.K.E | AN-377WK A-377WK |
| BEND. | DB1262 572324B |

| 159 | E,S No. | PO | MAKER |
|-----|----------------|-----------|---|
| | ESD1205 | FR | HONDA, ISUZU, MAZDA, NISSAN, TOYOTA RSX, AIRWAVE, CIVIC V, CIVIC VI, CIVIC VII, CRX III |



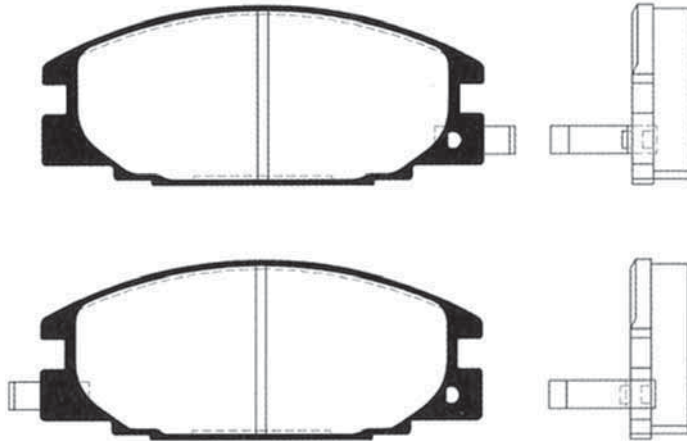
| | |
|-----------|---|
| SP NO. | SP1221 |
| WVA | 21694 21695 21696 |
| O. E. No. | 45022-S04-V11 06450S5AE50 45022-S5A-J00 45022S5AE50 45022-S04-E60 45022-SR3-V12 06450-S5A-J00 |
| M,K | D5070 |
| A.K.E | AN-685WK AN-376WK |
| BEND. | 572340B |

| 160 | E,S No. | PO | MAKER |
|-----|----------------|-----------|--|
| | ESD1206 | FR | HONDA, LOTUS, LAND ROVER CIVIC V, CIVIC VI, CIVIC VII, ELISE, RV8, 200 II COUP |



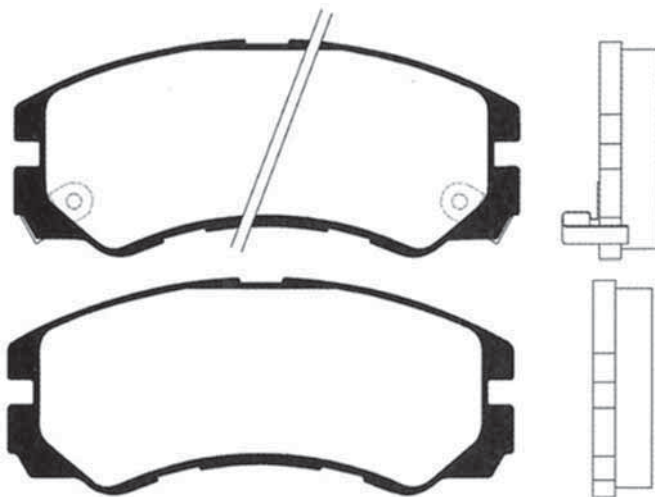
| | |
|-----------|---|
| SP NO. | |
| WVA | 21515 21516 21517 |
| O. E. No. | 45022-S74-E10 45022-ST3-E01 45022-S6D-E01 45022-SK3-E00 45022-ST3-E10 45022S74E50 45022-S6D-E51 |
| M,K | D5103 |
| A.K.E | |
| BEND. | |

| 161 | E_S No. | PO | MAKER |
|-----|---------|----|---|
| | ESD1300 | FR | ISUZU, MAZDA, OPEL, TOYOTA TROOPER '84-'91 |



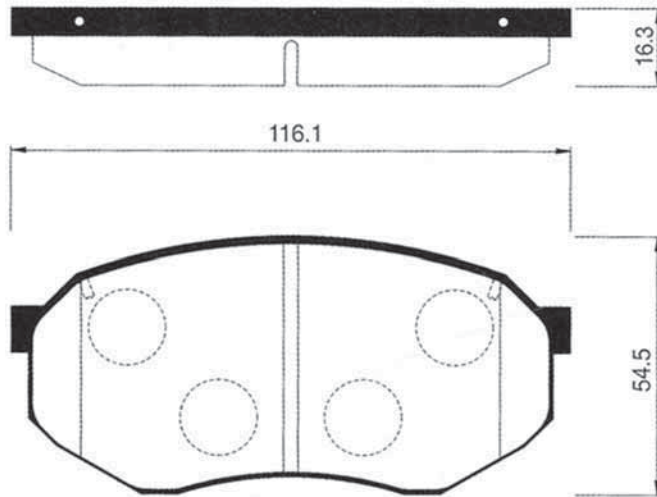
| | |
|-----------|--|
| SP NO. | |
| WVA | 21544 |
| O. E. No. | 5-94461155 8-94461155-0 8-97079638 8-94461155 8-97049429-0 8-97012880 8-94335787 |
| M_K | D4029 |
| A.K.E | A-248WK AN-248WK |
| BEND. | DB1116 572271B |

| 162 | E_S No. | PO | MAKER |
|-----|---------|----|--|
| | ESD1301 | FR | ISUZU, MAZDA, NISSAN, OPEL, TOYOTA TROOPER '91~ |



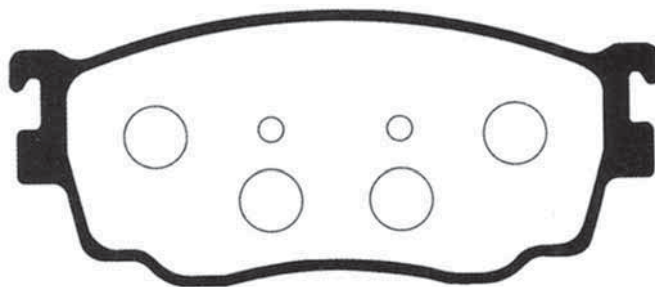
| | |
|-----------|---|
| SP NO. | |
| WVA | 21845 21845 21847 21869 21870 21871 |
| O. E. No. | 8-97035-257-0 8-97131748 8-97070-079-0 8-97113888-0 8-97206868 8-97035257 8-97035-257-1 |
| M_K | D4031 |
| A.K.E | A-386WK AN-386WK |
| BEND. | DB1270 572348B |

| 163 | E,S No. | PO | MAKER |
|-----|----------------|-----------|---|
| | ESD1400 | FR | MAZDA, MISUBISHI, TOYOTA LUCE ROTARY |



| | |
|-----------|--|
| SP NO. | SP1146 |
| WVA | 21318 |
| O. E. No. | HE21-33-28Z H260-33-28ZA 1Y0N-33-28Z H722-33-23ZA HE21-33-28ZA H260-33-28ZB H722-33-28ZA |
| M,K | D3043 D6033 |
| A,K,E | A-241K A-SM474K |
| BEND. | DB1111 DB1141T |

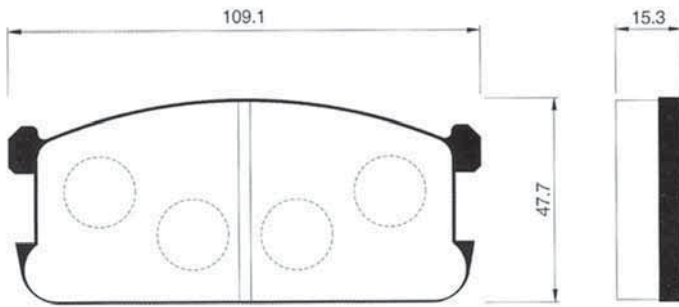
| 164 | E,S No. | PO | MAKER |
|-----|----------------|-----------|--------------------------------|
| | ESD1401 | FR | MAZDA MAZDA 626 NEW |



131.656.3 74.5

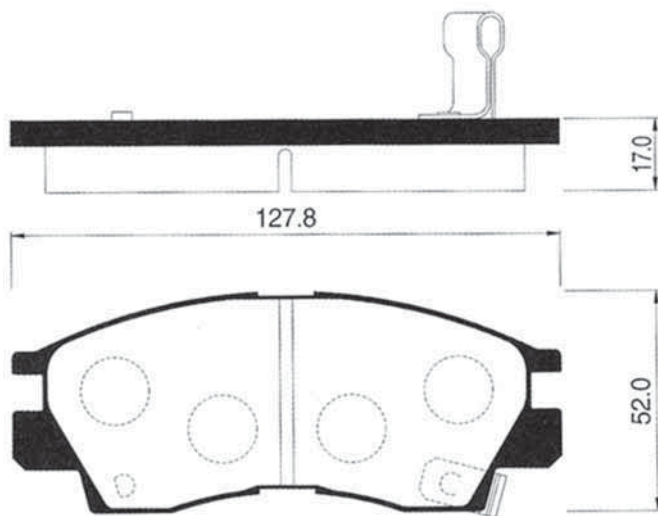
| | |
|-----------|--|
| SP NO. | |
| WVA | |
| O. E. No. | |
| M,K | |
| A,K,E | |
| BEND. | |

| | | | |
|-----|----------------|-----------|--|
| 165 | E,S No. | PO | MAKER |
| | ESD1500 | FR | mitsubishi LANCER 1600GSR(S,E,A) |



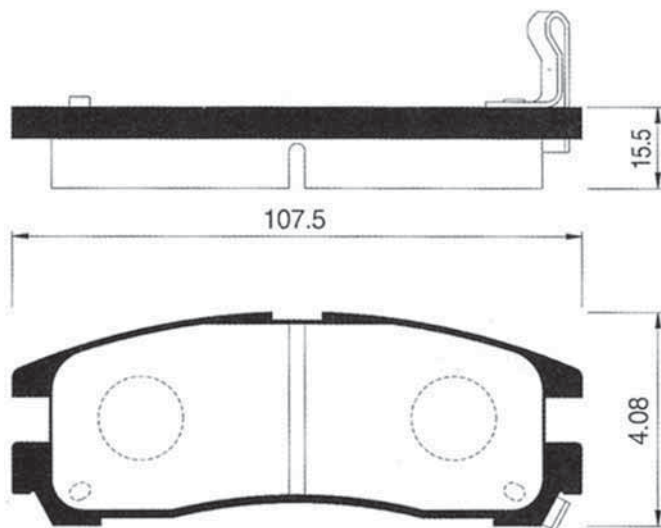
| | |
|-----------|--|
| SP NO. | |
| WVA | 20724 |
| O. E. No. | MB151323 MB151324 MB134815 MB193216 |
| M,K | D600 D6004 |
| A,K,E | A-86K |
| BEND. | DB230 572216B |

| | | | |
|-----|----------------|-----------|--|
| 166 | E,S No. | PO | MAKER |
| | ESD1501 | FR | MITSUBISHI, HYUNDAI DEBONAIR, ETERNA, DELICA, PAJERO, GRANDEUR |



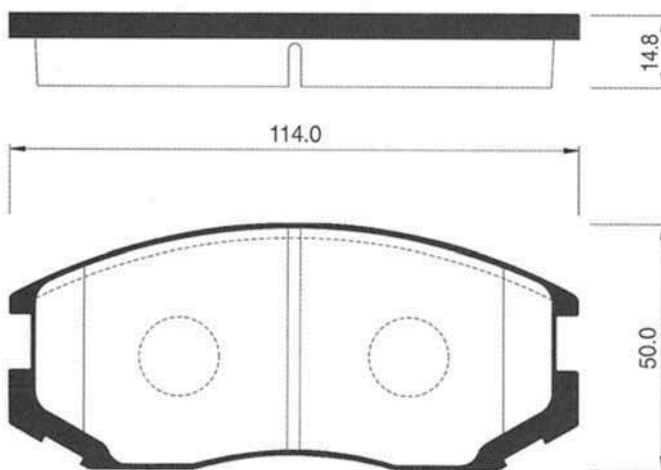
| | |
|-----------|--|
| SP NO. | |
| WVA | |
| O. E. No. | MB534398 MB699054 MB587285 MB534644 MB699055 MB534397 MB618875 |
| M,K | D6021M D6021 |
| A,K,E | AN-223WK A-223WK |
| BEND. | DB1179 |

| 167 | E.S No. | PO | MAKER |
|-----|----------------|-----------|--|
| | ESD1502 | RR | MITSUBISHI, HYUNDAI, NISSAN DEBONAIR, ETERNA, DELICA, PAJERO, GRANDEUR |



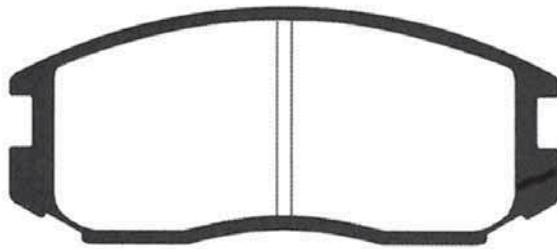
| | |
|-----------|---|
| SP NO. | SP1046R |
| WVA | 21706 21707 21708 |
| O. E. No. | MR129438 MB857335 MZ 690166 MR389577 MR569780 MB534653 MR129537 |
| M,K | D6024M D6024 |
| A.K.E | AN-224WK A-224WK |
| BEND. | DB1239 572186B |

| 168 | E.S No. | PO | MAKER |
|-----|----------------|-----------|---|
| | ESD1503 | FR | MITSUBISHI, NISSAN, TOYOTA LANCER 1.5, SALOON, COUPE, ESTATE 12V/16V, 4x4 |

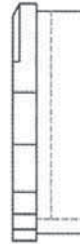


| | |
|-----------|---|
| SP NO. | SP1142 |
| WVA | 21650 |
| O. E. No. | MB928461 MB699463 MR389511 MZ 690000 MR389506 MB928816 MB699474 |
| M,K | D6042 D0037 |
| A.K.E | A-317K AN-317K |
| BEND. | DB1201 DB1277 |

| 169 | E_S No. | PO | MAKER |
|-----|----------------|-----------|---|
| | ESD1504 | FR | mitsubishi LANCER 1,2/1,3/1,5 '85-'92 |

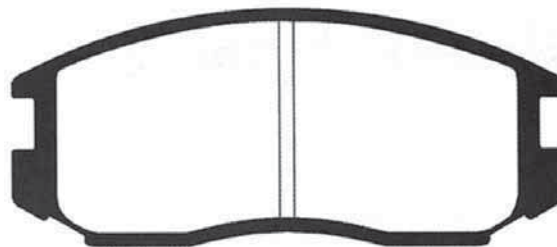


108.547.515

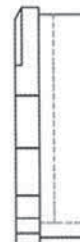


| | |
|------------------|--|
| SP NO. | |
| WVA | 21126 |
| O. E. No. | MR389503 MB618576 MB407460 MB534587 MB316166 MB668722 MB407963 |
| M_K | D6010 |
| A.K.E | A-109K AN-109K |
| BEND. | DB357 572209B |

| 170 | E_S No. | PO | MAKER |
|-----|----------------|-----------|--|
| | ESD1505 | FR | MITSUBISHI, DAIHATSU, NISSAN, PROTON, TOYOTA LANCER 1,3/1,5/1,6/1,8/2,0D '88-'01 |

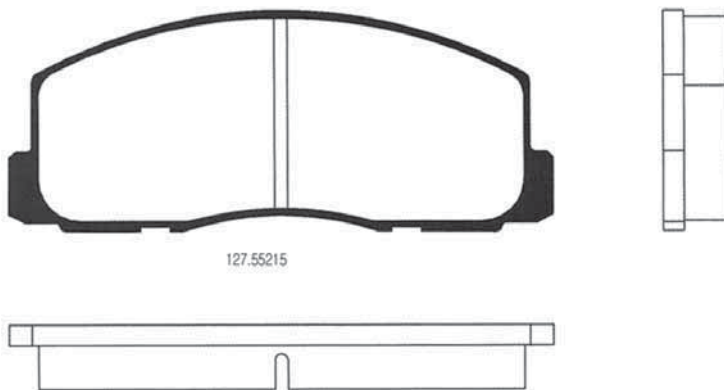


1155015



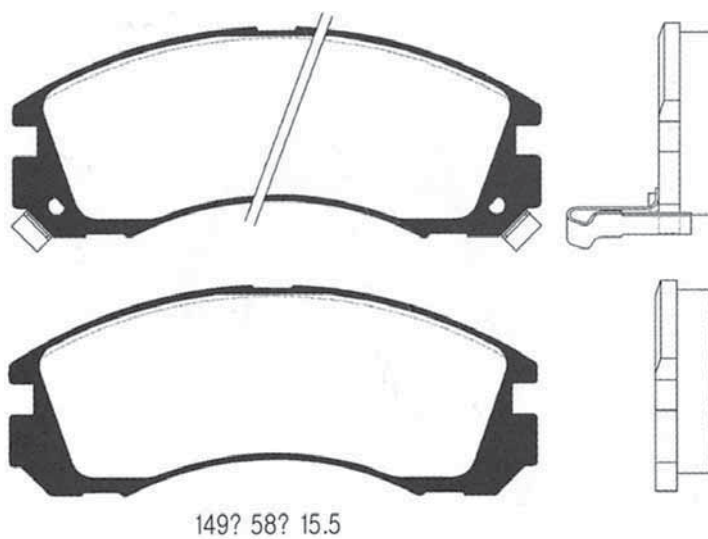
| | |
|------------------|---|
| SP NO. | SP |
| WVA | 21650 |
| O. E. No. | MB928461 MB699463 MR389511 MZ 690000 MR389506 MB928816 MB699474 |
| M_K | D0037 D6042 |
| A.K.E | AN-317K A-478K |
| BEND. | DB1127 572441B |

| | | | |
|------------|----------------|-----------|---|
| 171 | E.S No. | PO | MAKER |
| | ESD1506 | FR | mitsubishi LANCER 1.8/1.8D, SPACE WAGON, TREDIA |



| | |
|-----------|--|
| SP NO. | |
| WVA | 20955 |
| O. E. No. | MB534484 MR389521 MB500295 MB668397 MB407431 MB587055 MB316553 |
| M,K | D6008 D6017 |
| A.K.E | A-181K AN-201K |
| BEND. | DB319 572295B |

| | | | |
|------------|----------------|-----------|--|
| 172 | E.S No. | PO | MAKER |
| | ESD1507 | FR | MITSUBISHI LANCER TURBO EVO, PAJERO, SIGMA, SPACE GEAR |



| | |
|-----------|--|
| SP NO. | |
| WVA | |
| O. E. No. | |
| M,K | |
| A.K.E | |
| BEND. | |

| | | | |
|------------|----------------|-----------|---|
| 173 | E_S No. | PO | MAKER |
| | ESD1508 | FR | mitsubishi LANCER TURBO EVO V, VI |

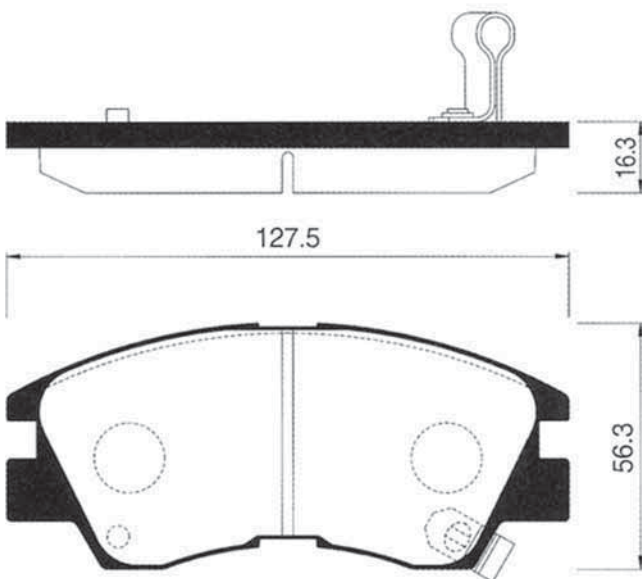


131.57714.5

| |
|-----------|
| SP NO. |
| WVA |
| O. E. No. |
| M_K |
| A.K.E |
| BEND. |

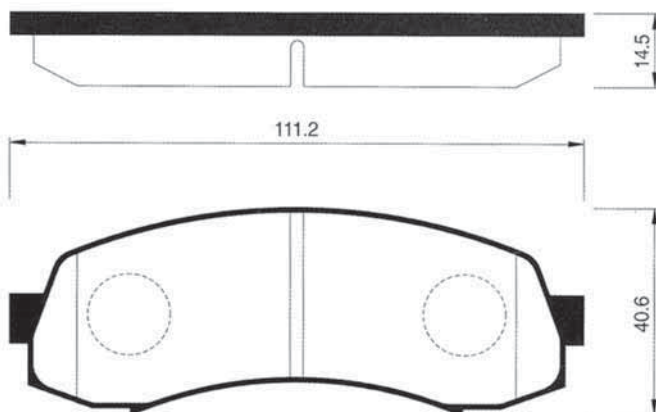
DISC BRAKE PAD

| | | | |
|------------|----------------|-----------|--|
| 174 | E_S No. | PO | MAKER |
| | ESD1509 | FR | MITSUBISHI, MAZDA, NISSAN, TOYOTA MEXPRESS, STARWAGON, PAJERO GL 4WD, TRITON |



| |
|---|
| SP NO. |
| SP1135 |
| WVA |
| 21373 21374 21375 |
| O. E. No. |
| 572281B MB500815 MR389523 MB597721 MZ 690 334 MB500813 MR162523 |
| M_K |
| D6018 D6082 |
| A.K.E |
| A-233WK AN-233WK |
| BEND. |
| DB1113 572281B |

| 175 | E.S No. | PO | MAKER |
|-----|----------------|-----------|--|
| | ESD1510 | FR | mitsubishi, nissan, toyota MINICA 550 H21A/V, MINICA TOPPO |



| SP NO. |
|--------|
| SP1126 |

| WVA |
|-----|
| |

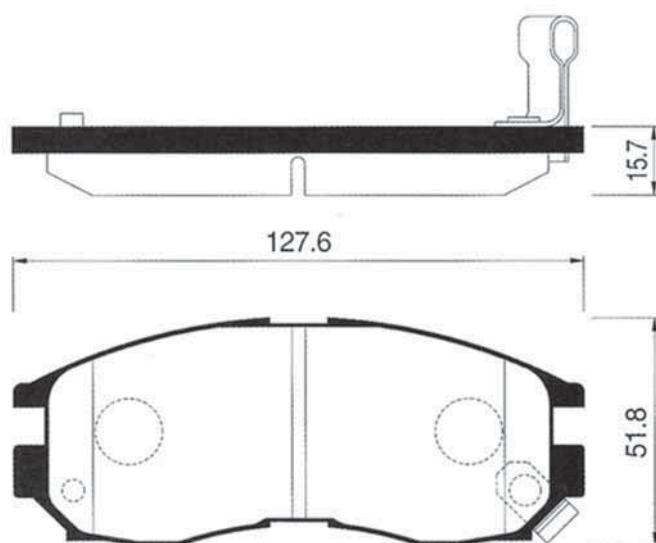
| O. E. No. |
|-------------|
| MB668539 |
| MB668569 |
| MB668374 |
| MR389504 |
| AY040-KE018 |
| AY040-KE107 |
| V9118-M001 |

| M,K |
|-------|
| D6038 |

| A.K.E |
|----------------|
| A-289K AN-289K |

| BEND. |
|-------|
| |

| 176 | E.S No. | PO | MAKER |
|-----|----------------|-----------|---|
| | ESD1511 | FR | MITSUBISHI, CHRYSLER, HYUNDAI, MAZDA, NISSAN ECLIPSE, GALANT, LANVER, MINIBUS WAGON 2,4 |



| SP NO. |
|--------|
| SP1134 |

| WVA |
|-------|
| 21647 |
| 21648 |

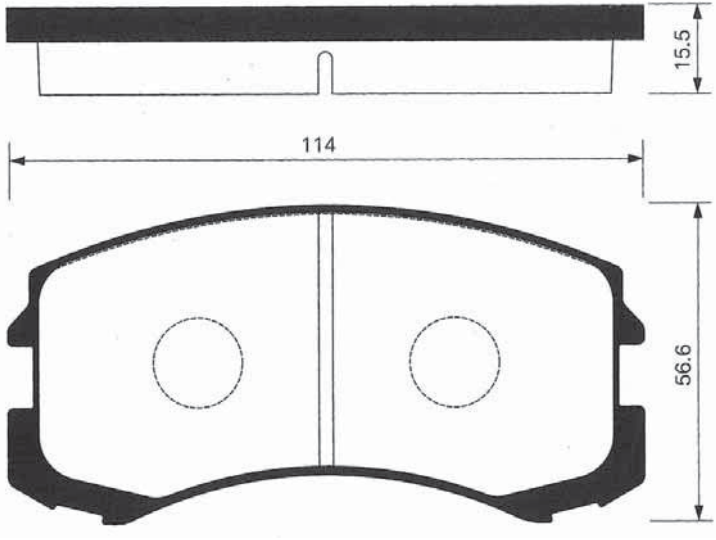
| O. E. No. |
|-----------|
| MR389532 |
| MR129431 |
| MB858660 |
| MR389597 |
| MB699702 |
| MZ690331 |
| MR389537 |

| M,K |
|--------------|
| D6043M D6043 |

| A.K.E |
|------------------|
| A-312WK AN-312WK |

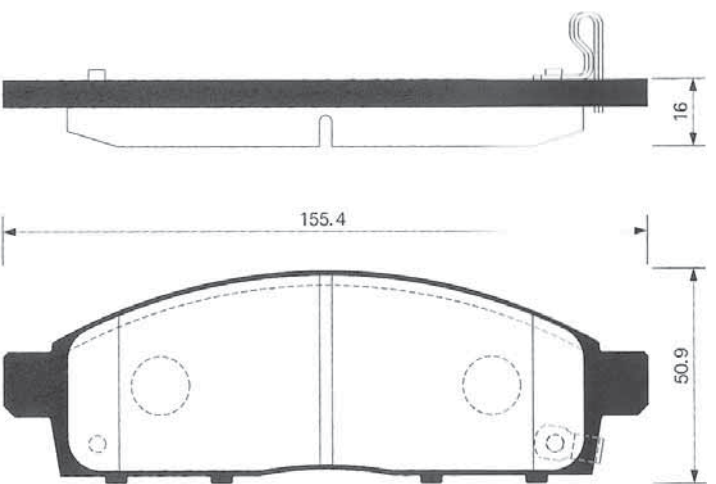
| BEND. |
|----------------|
| DB1249 572381B |

| 177 | E_S No. | PO | MAKER |
|-----|----------------|-----------|----------------------------------|
| | ESD1512 | FR | mitsubishi LANCER VII |



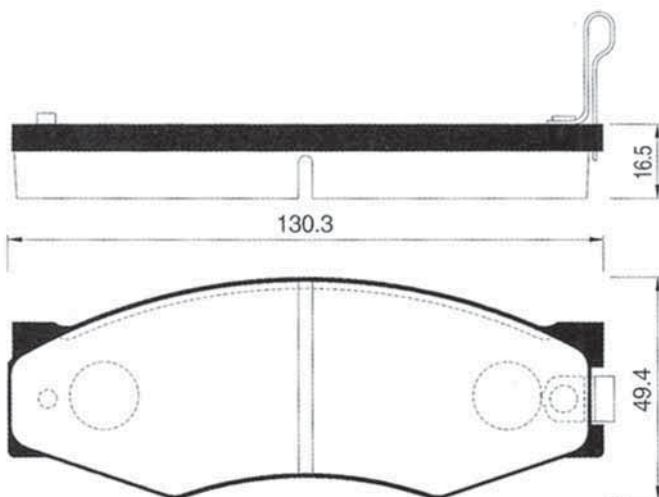
| | |
|------------------|--|
| SP NO. | SP1255 |
| WVA | 24291 |
| O. E. No. | MR 569 233 MR569224 MZ 690 185 MR569225 MN116604 V9118-M035 |
| M_K | |
| A.K.E | AN-641K A-641K |
| BEND. | |

| 178 | E_S No. | PO | MAKER |
|-----|----------------|-----------|----------------------------|
| | ESD1513 | FR | mitsubishi L200 |



| | |
|------------------|---|
| SP NO. | SP1361 |
| WVA | 25004 25088 24529 |
| O. E. No. | 4605-A198 MN116723 MZ690356 4605-A284 D1060-JX50B |
| M_K | |
| A.K.E | AN767WK |
| BEND. | DB1774 |

| | | | |
|------------|----------------|-----------|--|
| 179 | E.S No. | PO | MAKER |
| | ESD1600 | FR | NISSAN, INFINITI, ISUZU, MAZDA 300C SEDAN, 300ZX, SKYLINE SILHOUETTE SEDAN |



| |
|--------|
| SP NO. |
| SP1127 |

| |
|-------|
| WVA |
| 21119 |

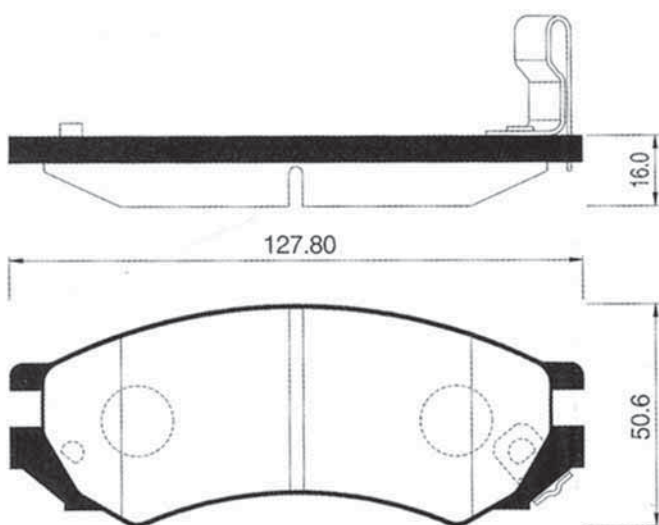
| |
|---|
| O. E. No. |
| 41060-V5025 D106M-B2885 41060-11P94 41060-13E92 41060-D4690 41060-03R85 41060-11P85 |

| |
|----------------|
| M,K |
| D1031 D1096 |

| |
|--------------------|
| A.K.E |
| A-130WK AN-127K |

| |
|------------------|
| BEND. |
| DB382 572312B |

| | | | |
|------------|----------------|-----------|--|
| 180 | E.S No. | PO | MAKER |
| | ESD1601 | FR | NISSAN, TOYOTA, MAZDA BLUEBIRD 1,6 U13/2,0 |



| |
|--------|
| SP NO. |
| SP1128 |

| |
|-------|
| WVA |
| 21280 |

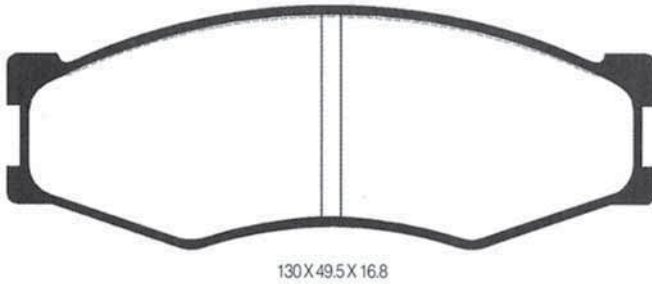
| |
|---|
| O. E. No. |
| 41060-45E86 D106M-N2287 41060-70N86 AY040-NS809 41060-45E85 41060-75J25 D106M-51E89 |

| |
|-----------------|
| M,K |
| D1084M D1197 |

| |
|---------------------|
| A.K.E |
| A-252WK AN-440WK |

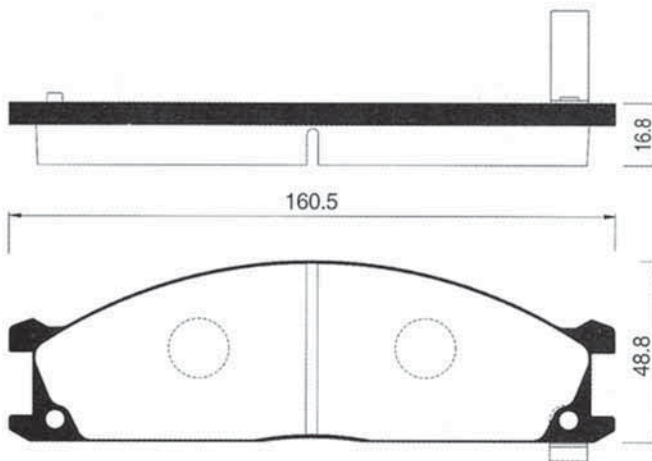
| |
|--------------------|
| BEND. |
| 572289B 571400B |

| 181 | E_S No. | PO | MAKER |
|-----|----------------|-----------|---|
| | ESD1602 | FR | NISSAN BLUEBIRD 1.6 T72/1.8 U11/1.8, T72/1.8 TA12/2.0 T72/2.0 |



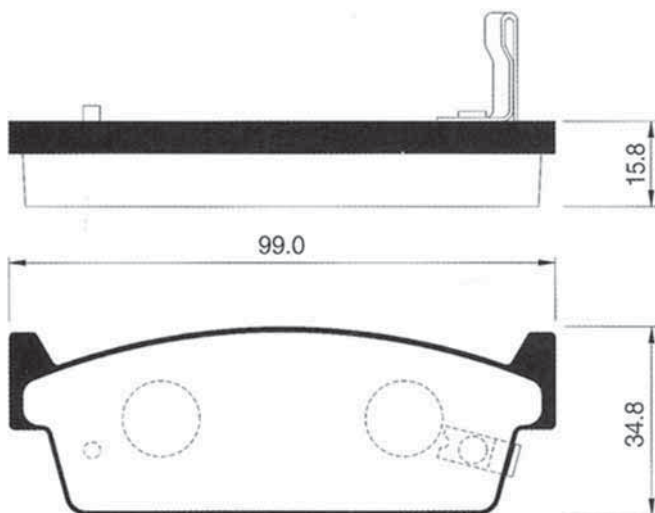
| | |
|-----------|--------|
| SP NO. | |
| WVA | 20979 |
| O. E. No. | |
| M_K | |
| A.K.E | |
| BEND. | DB1140 |

| 182 | E_S No. | PO | MAKER |
|-----|----------------|-----------|---|
| | ESD1603 | FR | NISSAN, ISUZU, MAZDA, TOYOTA, SUBARU CEDRIC, PICK UP 2WD/4WD, NAVARA HGD21 V6 |



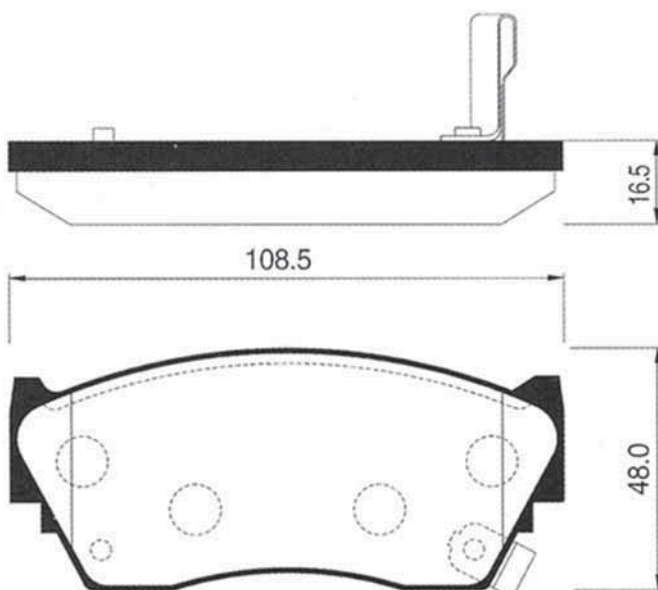
| | |
|-----------|---|
| SP NO. | SP1140-S |
| WVA | 21347 |
| O. E. No. | 41060-28N91 AY040-NS806 41080-09G27 41060-57GX0 41060-23G90 AY040-NS035 41060-V7091 |
| M_K | D1063 D1122 |
| A.K.E | A-212WK A-212K |
| BEND. | DB438 572373B |

| 183 | E.S No. | PO | MAKER |
|-----|----------------|-----------|---|
| | ESD1604 | RR | NISSAN, TOYOTA, INFINITI, MAZDA CEDRIC 300C SEDAN, CIMA |



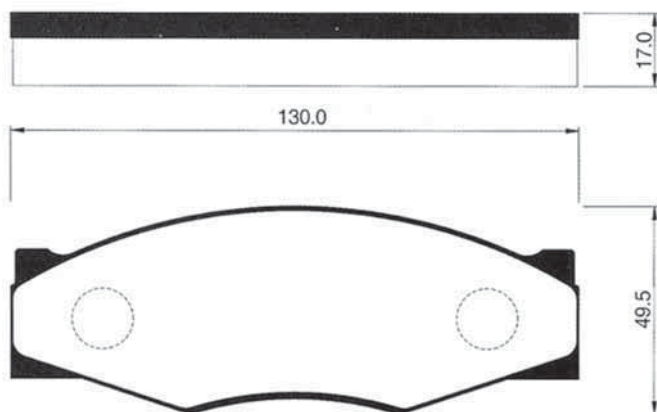
| | |
|-----------|--|
| SP NO. | SP1133 |
| WVA | 21341 21342 |
| O. E. No. | 44060-44F85 44060-10V87 4060-V6725 AY060-NS027 44060-85L85 44060-5L325 44060-21P86 |
| M,K | D1047 D1145 |
| A.K.E | A-149WK AN-480WK |
| BEND. | DB1144 572153B |

| 184 | E.S No. | PO | MAKER |
|-----|----------------|-----------|--|
| | ESD1605 | FR | NISSAN, MAZDA, TOYOTA SENTRA 1,6, NX 1,6 |



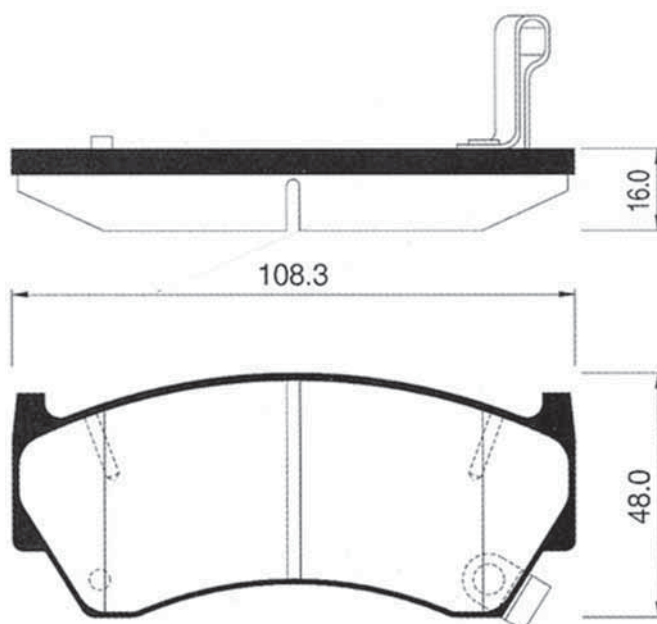
| | |
|-----------|--|
| SP NO. | SP1106 |
| WVA | 21657 21658 21659 |
| O. E. No. | 4106050Y91 D1060-50Y94 44010-50Y94 AY040-NS902 41060-60Y94 AY040-NS064 41060-50Y93 |
| M,K | D1133 D1158 |
| A.K.E | A-327WK AN-327WK |
| BEND. | DB1210 572210B |

| 185 | E_S No. | PO | MAKER |
|-----|----------------|-----------|--|
| | ESD1606 | FR | NISSAN, INFINITI, ISUZU, MAZDA, TOYOTA PATHFINDER, DATSUN-TRUCK 720, ATALS, 300C SEDAN |



| | |
|------------------|---|
| SP NO. | SP1095 |
| WVA | 21099 |
| O. E. No. | 41060-V5025 D106M-B2885 41060-11P94 41060-13E92 41060-D4690 41060-03R85 41050-11P85 |
| M.K | D1025 D1096 |
| A.K.E | A-127K A-130WK |
| BEND. | DB340 572312B |

| 186 | E_S No. | PO | MAKER |
|-----|----------------|-----------|---|
| | ESD1607 | FR | NISSAN, SUZUKI, TOYOTA, MAZDA SUNNY, PULSAR N15 1,6 |



| | |
|------------------|---|
| SP NO. | SP1122 |
| WVA | 23796 |
| O. E. No. | 410600M8S0NW D1060-1N090 41061-0M892 AY040-NS816 41060-0M893 AY040-NS021 D106M25Y90 |
| M.K | D1202 D1227 |
| A.K.E | A-431WK AN-600WK |
| BEND. | DB1302 572433B |

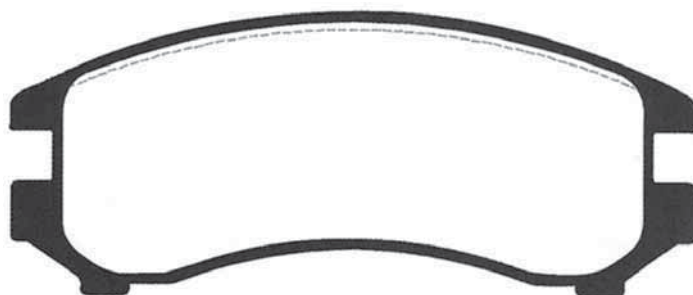
| | E.S No. | PO | MAKER |
|------------|----------------|-----------|--|
| 187 | ESD1608 | FR | NISSAN, MAZDA, SUBARU, TOYOTA SUNNY 1.3, SALOON, COUPE HATCHBACK 1.6 |



108.540.216

| | |
|---|----------|
| SP NO. | |
| | |
| WVA | |
| 20958 21120 21224 | |
| O. E. No. | |
| 41060-11A93 DA060-13A85 41060-01A26 41060-A1887 D106M-N1886 41060-75A92 AY040-FJ005 | |
| M,K | |
| D1018 | D1035 |
| A.K.E | |
| A-107K | AN-107WK |
| BEND. | |
| DB293 | 572208B |

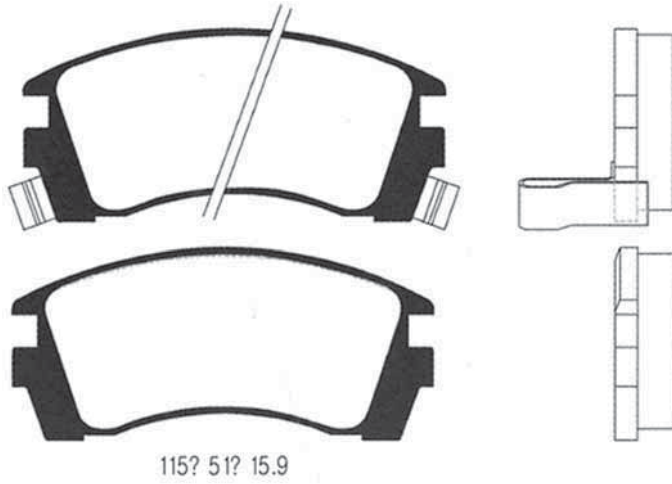
| | E.S No. | PO | MAKER |
|------------|----------------|-----------|---|
| 188 | ESD1609 | FR | NISSAN SUNNY 1.6, SALOON, COUPE HATCHBACK, ESTATE 1.8 |



1154716

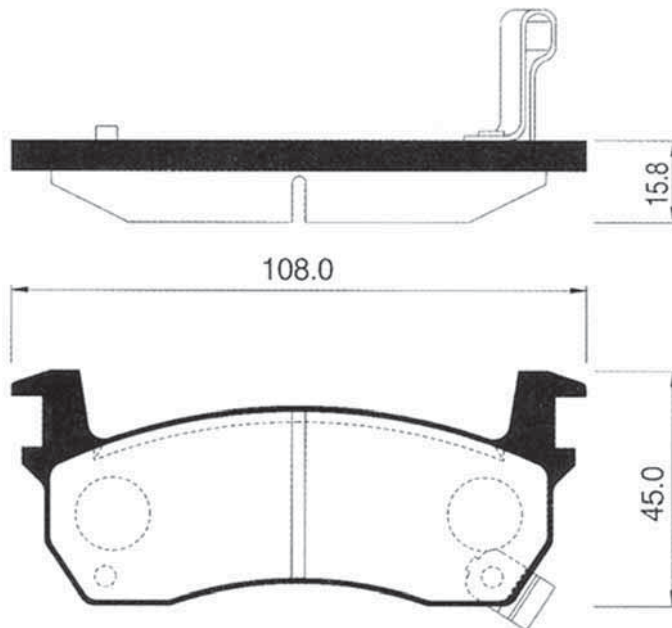
| | |
|-----------|--|
| SP NO. | |
| | |
| WVA | |
| | |
| O. E. No. | |
| | |
| M,K | |
| | |
| A.K.E | |
| | |
| BEND. | |
| | |

| | | | |
|------------|----------------|-----------|------------------------------------|
| 189 | E_S No. | PO | MAKER |
| | ESD1610 | FR | NISSAN SUNNY 1.6/1.7/2.0 |



| | |
|-----------|--|
| SP NO. | |
| WVA | |
| O. E. No. | |
| M_K | |
| A.K.E | |
| BEND. | |

| | | | |
|------------|----------------|-----------|--|
| 190 | E_S No. | PO | MAKER |
| | ESD1611 | FR | NISSAN, TOYOTA MICRA(CANADA) |



| | |
|-----------|---|
| SP NO. | SP1136 |
| WVA | 20957 21428 21429 |
| O. E. No. | 41060-01B26 41010-41B93 41060-05B91 AY040-NS019 41060-04B90 41060-44B92 D106M-S1685 |
| M_K | 1024 D1055 |
| A.K.E | A-120WK A-120K |
| BEND. | DB316 572190B |

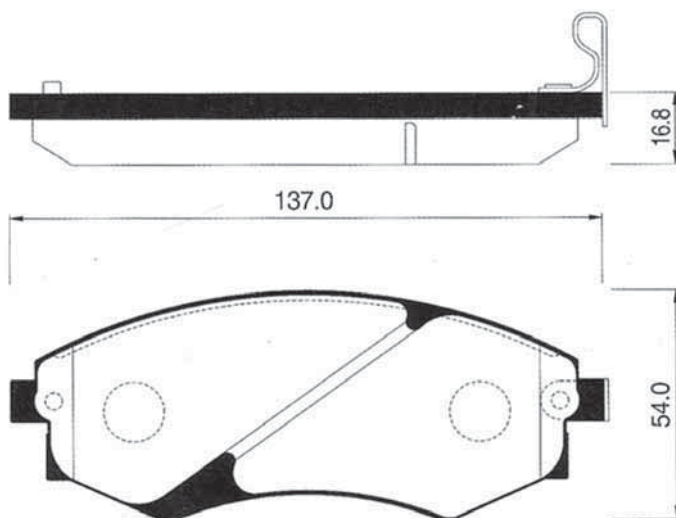
| | E.S No. | PO | MAKER |
|------------|----------------|-----------|---------------------------------------|
| 191 | ESD1612 | FR | NISSAN MICRA 1.3/1.4, MARCH |



1214515.25

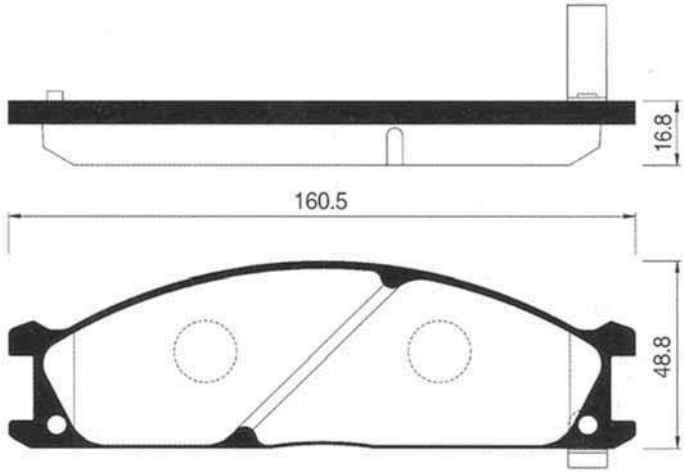
| | |
|------------------|---|
| SP NO. | |
| WVA | 21626 |
| O. E. No. | 41609=9B26 41060-6F626 41060-99B25 41060-6F625 |
| M,K | D1191 |
| A.K.E | |
| BEND. | DB1307 572257B |

| | E.S No. | PO | MAKER |
|------------|----------------|-----------|--|
| 192 | ESD1613 | FR | NISSAN SKYLINE R31, PINTARA KA24E GLI/T/TRX, ACCES |



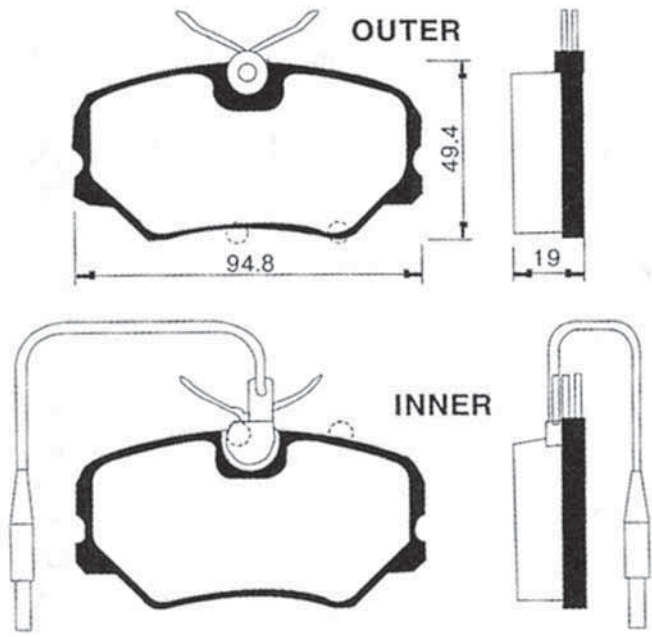
| | |
|------------------|---|
| SP NO. | SP1137 |
| WVA | |
| O. E. No. | 41060-32R90 AY040-NS914 41060-G8190 AY040-NS075 41060-78N90 41060-79E90 41060-78E90 |
| M,K | D1105 D1154 |
| A.K.E | A-262WK AN-262WK |
| BEND. | DB1165 572343B |

| | | | |
|------------|----------------|-----------|--|
| 193 | E_S No. | PO | MAKER |
| | ESD1614 | FR | NISSAN, SUBARU, TOYOTA, ISUZU, MAZDA CREW 2.0 |



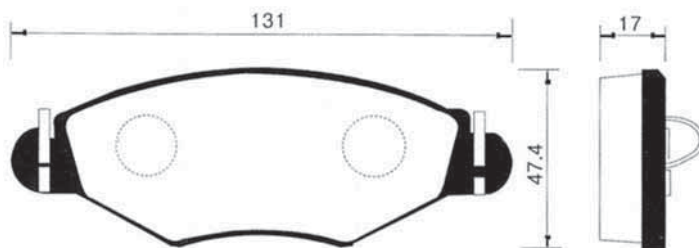
| | |
|-----------|---|
| SP NO. | SP1140-2 |
| WVA | |
| O. E. No. | 41060-28N91 AY040-NS806 41080-09G27 41060-57GX0 41060-23G90 AY040-NS035 41060-V7091 |
| M_K | D1063-TX D1122 |
| A.K.E | ASM-212KW A-212K |
| BEND. | DB438 572373B |

| | | | |
|------------|----------------|-----------|---|
| 194 | E_S No. | PO | MAKER |
| | ESD1700 | FR | PEUGEOT, CITROEN PEUGEOT 405 |



| | |
|-----------|--|
| SP NO. | SP1180 |
| WVA | 23169 23170 21209 |
| O. E. No. | 425270 425095 425107 425087 425135 425055 95666894 |
| M_K | D1177 |
| A.K.E | |
| BEND. | DB1258 571904B |

| 195 | E.S No. | PO | MAKER |
|-----|----------------|-----------|-------------------------------|
| | ESD1701 | FR | PEUGEOT PEUGEOT 206 |



| SP NO. |
|--------|
| SP1179 |

| WVA |
|----------------|
| 23597 23598 |

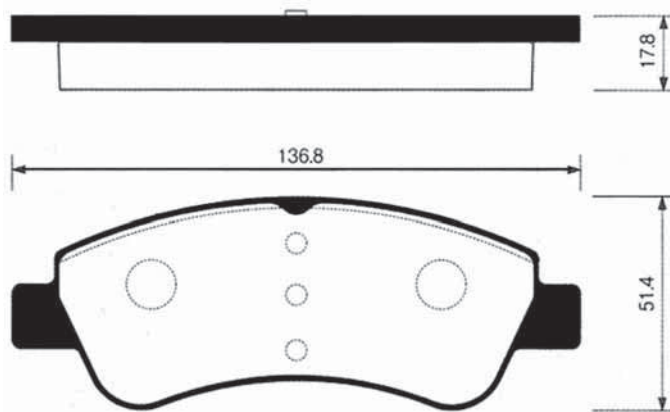
| O. E. No. |
|--|
| 4253.02 425212 425228 4253.02 4253.20 4253.03 |

| M,K |
|-----|
| |

| A.K.E |
|-------|
| |

| BEND. |
|-------------------|
| DB1757 573051B |

| 196 | E.S No. | PO | MAKER |
|-----|----------------|-----------|--|
| | ESD1702 | FR | PEUGEOT, CITROEN PEUGEOT 206 1,6 TYPES |



| SP NO. |
|--------|
| SP1241 |

| WVA |
|-------------------------|
| 23599 23954 24101 |

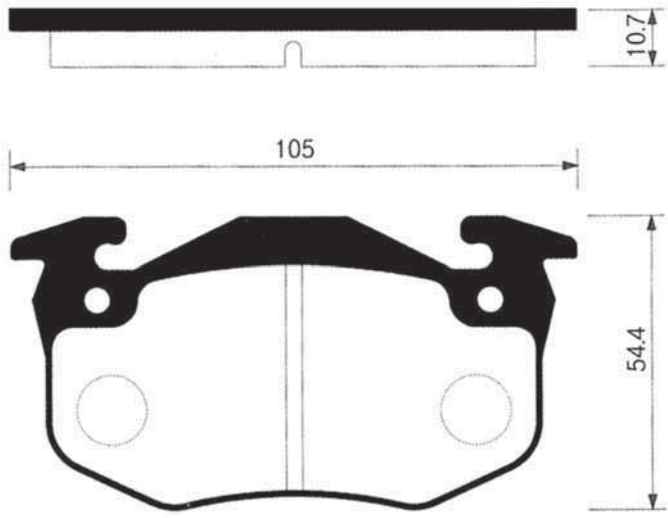
| O. E. No. |
|---|
| 4252,21 4252,38 4252,39 4252,59 4252,76 4253,38 4253,41 |

| M,K |
|-----|
| |

| A.K.E |
|-------|
| |

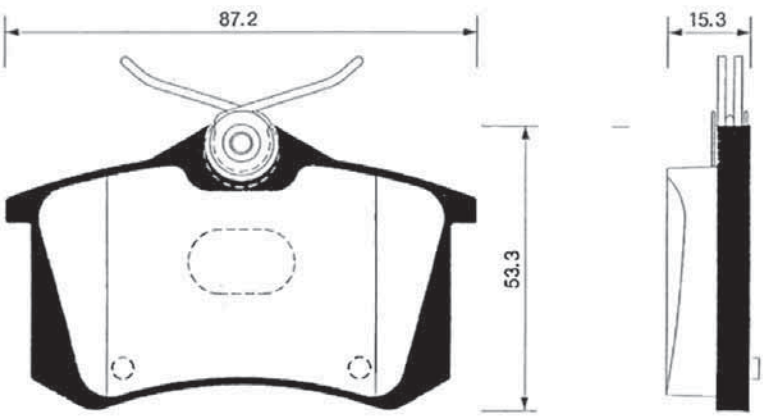
| BEND. |
|--------|
| DB1923 |

| | | | |
|------------|----------------|-----------|---|
| 197 | E_S No. | PO | MAKER |
| | ESD1703 | RR | PEUGEOT, RENAULT, CITROEN PEUGEOT 206 TYPES |



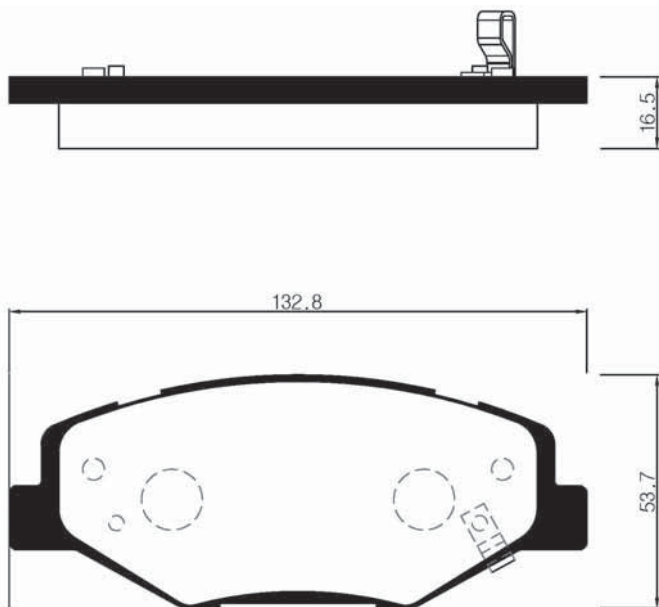
| | |
|-----------|---|
| SP NO. | SP1242 |
| WVA | 20973 20974 |
| O. E. No. | 4250.42 4251.04 4251.46 4251.48 4251.96 4251.97 4252.71 |
| M.K | |
| A.K.E | |
| BEND. | DB224 571747B |

| | | | |
|------------|----------------|-----------|---------------------------|
| 198 | E_S No. | PO | MAKER |
| | ESD1704 | RR | PEUGEOT PARSELX |



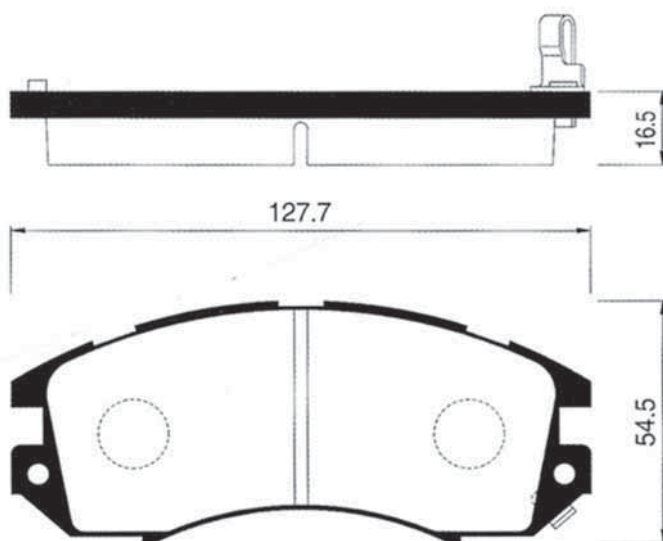
| | |
|-----------|--|
| SP NO. | |
| WVA | |
| O. E. No. | |
| M.K | |
| A.K.E | |
| BEND. | |

| 199 | E.S No. | PO | MAKER |
|-----|----------------|-----------|--|
| | ESD1705 | FR | PEUGEOT, KHODRO NATIONAL SAMAND |



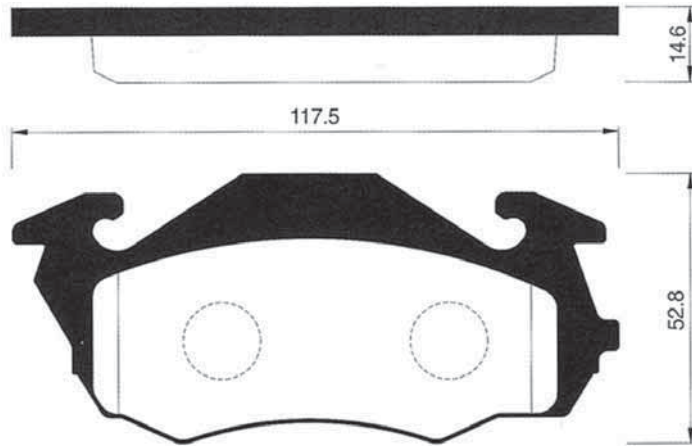
| SP NO. |
|-----------|
| |
| WVA |
| |
| O. E. No. |
| |
| M,K |
| |
| A.K.E |
| |
| BEND. |
| |

| 200 | E.S No. | PO | MAKER |
|-----|----------------|-----------|--|
| | ESD1800 | FR | SUBARU, TOYOTA, MAZDA, NISSAN IMPREZA SEDAN, LIBERTY LX/GX, SEDAN/WAGON |



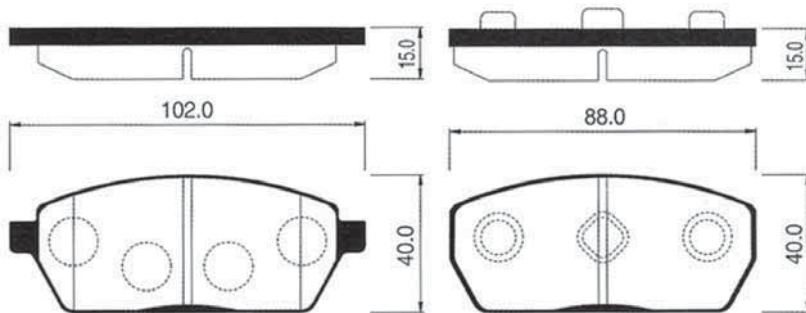
| SP NO. |
|---|
| SP1120 |
| WVA |
| 21469 21496 21503 |
| O. E. No. |
| 26269-FA000 26296-FA022 26296-AA163 26296-AA141 26296-AA020 26296-FA020 26296-AA161 |
| M,K |
| D7014 |
| A.K.E |
| A-295WK AN-295WK |
| BEND. |
| DB1185 DB1219 |

| | | | |
|------------|----------------|-----------|---|
| 201 | E_S No. | PO | MAKER |
| | ESD1801 | FR | SUBARU, TOYOTA, NISSAN SAMBAR 660 KS3, SAMBAR TRY 660 KV3 |



| | |
|-----------|--|
| SP NO. | SP1132 |
| WVA | |
| O. E. No. | 26290-TA090 26290-TA070 26260-TA000 26290-TA071 26290-TA000 V9118-F002 AY040-FJ006 |
| M.K | D7026 |
| A.K.E | A-335K AN-335K |
| BEND. | |

| | | | |
|------------|----------------|-----------|---|
| 202 | E_S No. | PO | MAKER |
| | ESD1900 | FR | SUZUKI CARRY 660 DB51T/DD51T, EVERY 660 DB51V |



| | |
|-----------|----------------|
| SP NO. | SP1125 |
| WVA | |
| O. E. No. | 55200-50FA0 |
| M.K | D9017 |
| A.K.E | A-305K AN-305K |
| BEND. | |

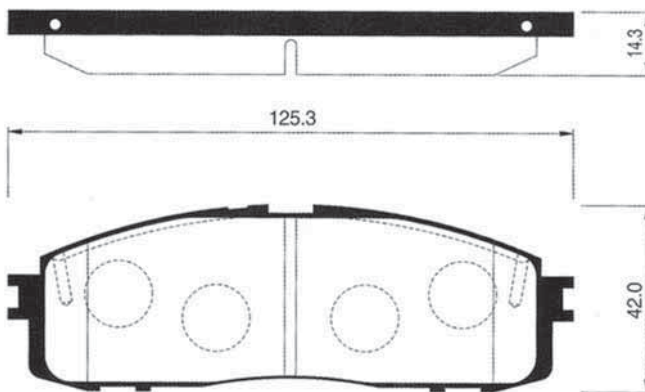
| | | | |
|-----|----------------|-----------|-------------------------|
| 203 | E,S No. | PO | MAKER |
| | ESD1901 | FR | SUZUKI SWIFT |



109.3 X 44 X 14

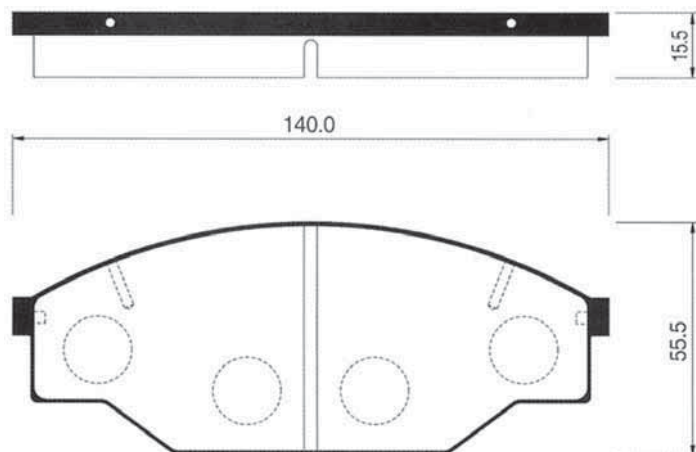
| | |
|-----------|--|
| SP NO. | |
| WVA | |
| O. E. No. | |
| M,K | |
| A.K.E | |
| BEND. | |

| | | | |
|-----|----------------|-----------|---|
| 204 | E,S No. | PO | MAKER |
| | ESD2000 | RR | TOYOTA CORONA AVANTI SEDAN, CRESSIDA GLXI/MX73 |



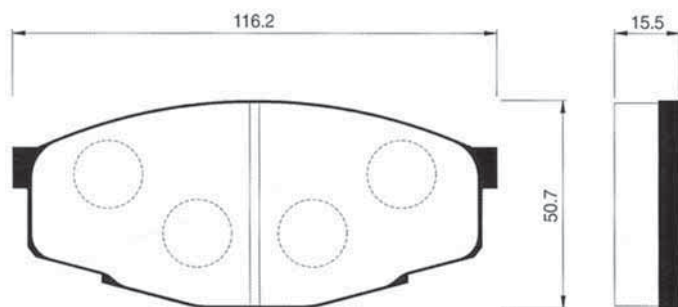
| | |
|-----------|---|
| SP NO. | |
| WVA | |
| O. E. No. | 04466-22070 04492-22050 04492-30120 04492-22030 04492-22141 04492-14090 04492-22110 |
| M,K | D2062 D2042 |
| A.K.E | A-227K A-353K |
| BEND. | DB413 572264B |

| | | | |
|------------|----------------|-----------|---|
| 205 | E_S No. | PO | MAKER |
| | ESD2001 | FR | TOYOTA, VOLKSWAGEN HI-LUX YN87N 2WD/RZN149R |



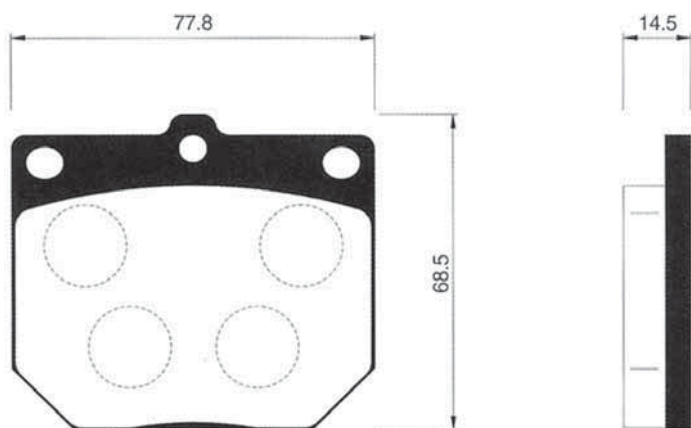
| | |
|-----------|--|
| SP NO. | SP1121 |
| WVA | |
| O. E. No. | 04465-26210 04491-35200 04465-20150 04491-26151 V9115-0006 04491-26070 04465-26330 |
| M_K | D2069 D2027 |
| A.K.E | A-267K AN-267K |
| BEND. | DB1350 DB318 |

| | | | |
|------------|----------------|-----------|---|
| 206 | E_S No. | PO | MAKER |
| | ESD2002 | FR | TOYOTA, MAZDA CELICA MA61, CRESSIDA, CRESSIDA WAGON |



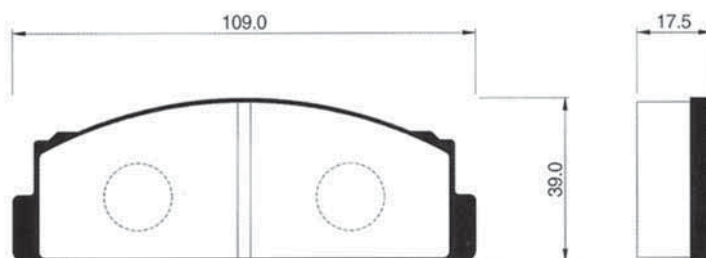
| | |
|-----------|--|
| SP NO. | |
| WVA | 21042 |
| O. E. No. | 04491-22130 04491-24010 04465-22140 04491-22220 04491-22172 04491-22160 V9118-1008 |
| M_K | D2018 |
| A.K.E | A-103K AN-103K |
| BEND. | DB281 572246B |

| | | | |
|------------|----------------|-----------|--|
| 207 | E.S No. | PO | MAKER |
| | ESD2003 | FR | TOYOTA, NISSAN, SUBARU CORONA 1.8/2.0/2.2, CRESSIDA RX 30/35/720 |



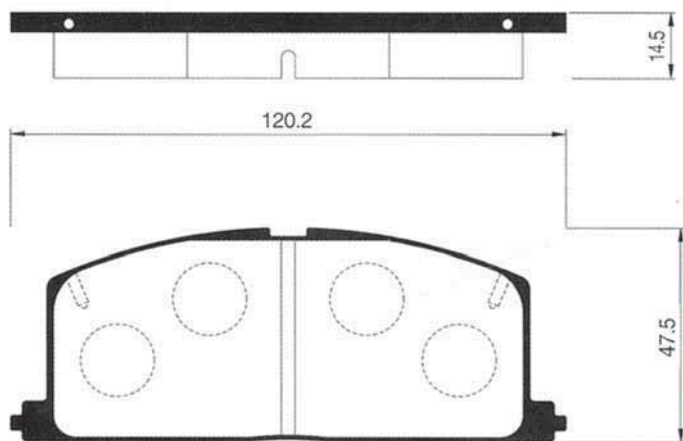
| | |
|-----------|---|
| SP NO. | |
| WVA | 20289 20448 |
| O. E. No. | 04491-22110 04491-20150 446522170 04491-30030 04491-22070 04491-20070 04491-22111 |
| M,K | D57 D57-0795 |
| A.K.E | A-25K A-71K |
| BEND. | DB396 DB86 |

| | | | |
|------------|----------------|-----------|---|
| 208 | E.S No. | PO | MAKER |
| | ESD2004 | FR | TOYOTA, DAIHATSU COROLLA, CHARMANT 1200 |



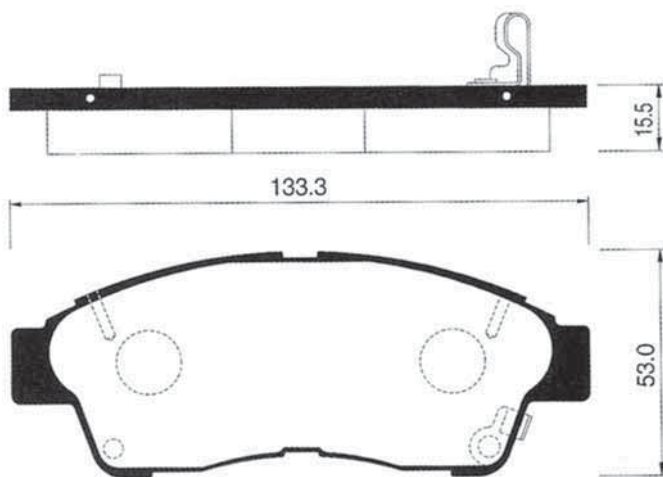
| | |
|-----------|---|
| SP NO. | |
| WVA | 20073 |
| O. E. No. | 04491-10151 04465-12450 04491-12010 |
| M,K | D2000 |
| A.K.E | A-11K |
| BEND. | DB37 |

| | | | |
|------------|----------------|-----------|--|
| 209 | E,S No. | PO | MAKER |
| | ESD2005 | FR | TOYOTA, MAZDA COROLLA III, IV, CAMRY I, II, CELICA II, CAMRY VZV21 |



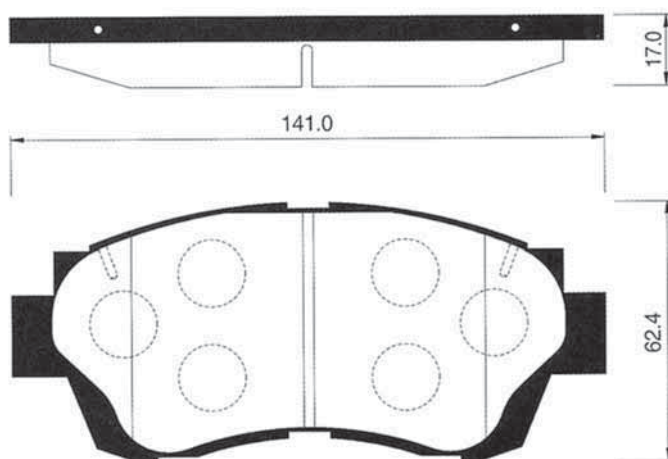
| | |
|-----------|---|
| SP NO. | SP1105 |
| WVA | 20870 21294 |
| O. E. No. | 00491-12281 04491-12340 04491-16191 04491-20790 04491-12040 04491-16041 04491-20460 |
| M.K | D2023 D2085 |
| A.K.E | A-113K AN-115K |
| BEND. | DB308 DB356 |

| | | | |
|------------|----------------|-----------|---|
| 210 | E,S No. | PO | MAKER |
| | ESD2006 | FR | TOYOTA, GM, MAZDA, DAIHATSU CAMRY II/III, CARINAE, COROLLA V, CAMRY SDV10 |



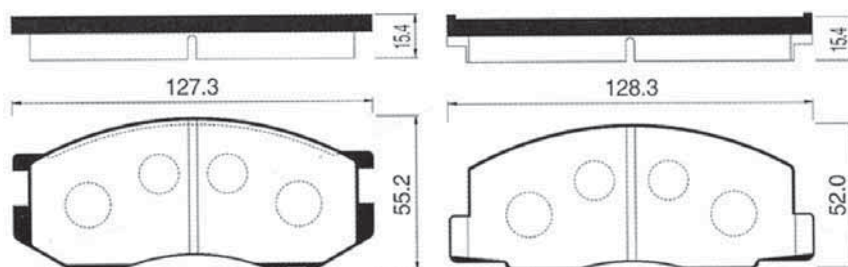
| | |
|-----------|---|
| SP NO. | SP1110 |
| WVA | 21601 21602 21603 |
| O. E. No. | 04465-20110 04491-2B010 04465-42090 04491-42012 04465-33210 04491-33011 04465-30250 |
| M.K | D2118 |
| A.K.E | A-394WK AN-394WK |
| BEND. | DB1267 572333B |

| 211 | E.S No. | PO | MAKER |
|-----|----------------|-----------|--|
| | ESD2007 | FR | TOYOTA, MAZDA CAMRY VDV10 3,0 VIENTA, CELICA ST202/ST204 SX2 |



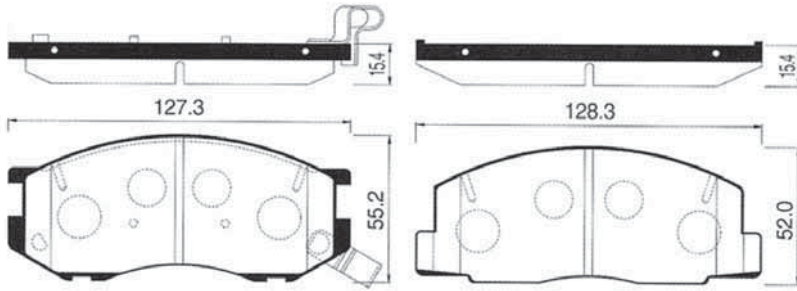
| | |
|------------------|---|
| SP NO. | SP1138 |
| WVA | 21791 |
| O. E. No. | 04465-33060 04491-33040 04465-YZZ63 04465-06020 04491-24060 04491-2B060 04491-06020 |
| M,K | D2088 |
| A.K.E | A-322WK AN-322 |
| BEND. | DB1209 572392B |

| 212 | E.S No. | PO | MAKER |
|-----|----------------|-----------|--|
| | ESD2008 | FR | TOYOTA LITE ACE 1,8, TOWN ACE 1,3/1,5, TOWN ACE 1,8 CM50 |



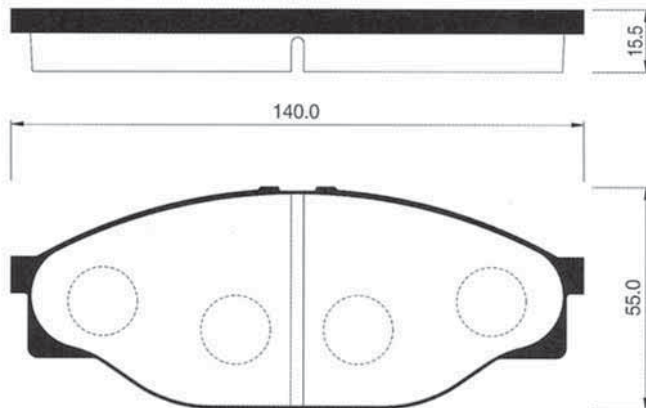
| | |
|------------------|--|
| SP NO. | SP1130 |
| WVA | 21011 |
| O. E. No. | 04491-27100 04491-87729 04465-28290 V9118-1042 04491-28200 04465-28010 04465-YZZAU |
| M,K | D2050M D2121M |
| A.K.E | A-294WK AN-405WK |
| BEND. | DB397 DB306 |

| | | | |
|------------|----------------|-----------|---|
| 213 | E_S No. | PO | MAKER |
| | ESD2009 | FR | TOYOTA, DAIHATSU, MAZDA LITE ACE 1,8 YR25V/2,2 CR22G, TOWN ACE 2,2 R22G |



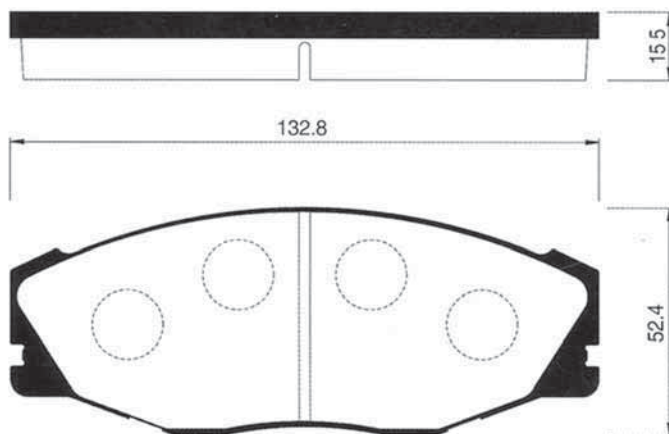
| | |
|-----------|--|
| SP NO. | SP1130 |
| WVA | |
| O. E. No. | 04491-27100 04491-87729 04465-28290 V9118-1042 04491-28200 04465-28010 04465-YZZAU |
| M_K | D2121M D2050 |
| A.K.E | A-405WK AN-405WK |
| BEND. | DB306 572303B |

| | | | |
|------------|----------------|-----------|--|
| 214 | E_S No. | PO | MAKER |
| | ESD2010 | FR | TOYOTA, MAZDA HI-ACE, COMMUTER BUS |



| | |
|-----------|---|
| SP NO. | SP1139 |
| WVA | |
| O. E. No. | 04491-26250 04465-26030 V9118-1053 04465-35220 04491-26280 04465-26050 V9118-A053 |
| M_K | D2086 |
| A.K.E | A-333K AN-333K |
| BEND. | DB1205 572378B |

| 215 | E.S No. | PO | MAKER |
|-----|----------------|-----------|--------------------------------------|
| | ESD2011 | FR | TOYOTA CROWN MS132/135/137 |



| SP NO. |
|--------|
| SP1141 |

| WVA |
|-----|
| |

| O. E. No. |
|-------------|
| 04465-34010 |
| 04465-30040 |
| 04491-30310 |
| V9118-A062 |
| 04491-30240 |
| 04491-30191 |
| 04465-30100 |

| M,K |
|----------------|
| D2067 D2153 |

| A.K.E |
|--------------------|
| A-261K A-SM261K |

| BEND. |
|--------|
| DB1201 |

| 216 | E.S No. | PO | MAKER |
|-----|----------------|-----------|-------------------------------|
| | ESD2012 | FR | TOYOTA COROLLA '02~ |



117.5X58.5X17

| SP NO. |
|--------|
| |

| WVA |
|-----|
| |

| O. E. No. |
|-----------|
| |

| M,K |
|-----|
| |

| A.K.E |
|-------|
| |

| BEND. |
|-------|
| |

217

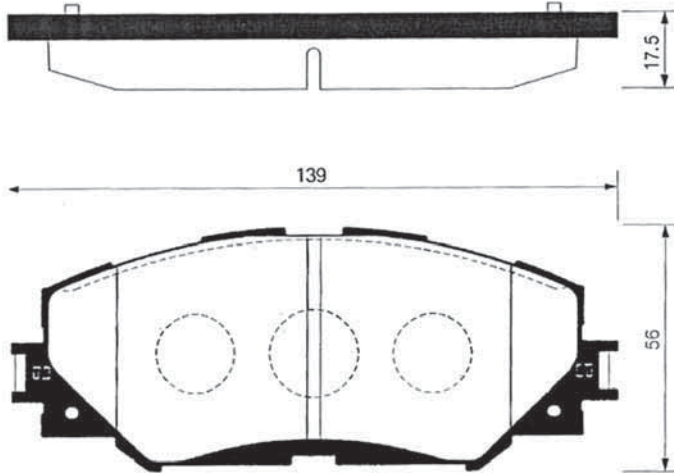
E,S No.

PO

MAKER

ESD2013

FR

TOYOTA
AURIS '06~, COROLLA, COROLLA RUMINON

SP NO.

SP2093

WVA

O. E. No.

04465-02220
04465-12610
04465-42160
446502240
04465-0R010

M,K

D2274

A,K,E

AN742K

BEND.

DB1802

DISC BRAKE PAD

218

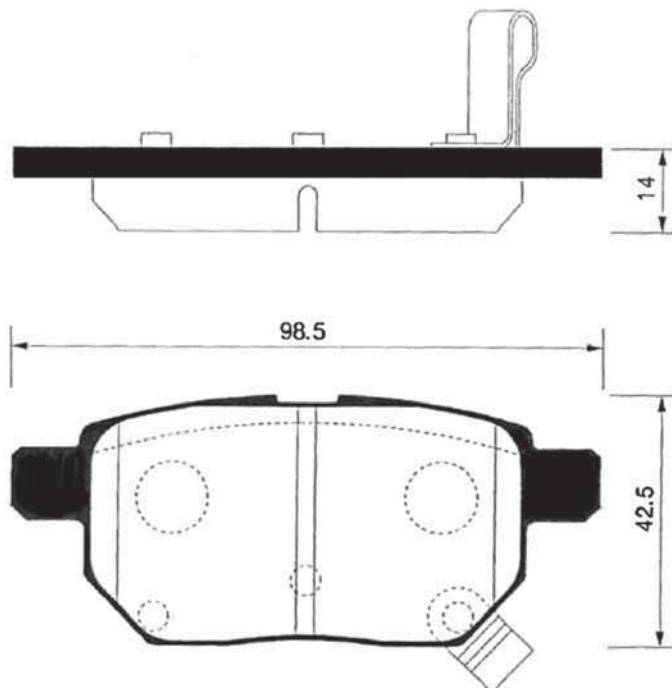
E,S No.

PO

MAKER

ESD2014

RR

TOYOTA
AURIS '06~, COROLLA, BLADE, BELTA, PRIUS IV

SP NO.

SP2094

WVA

24610
24611
24612

O. E. No.

446652140
446647040
04465-52110
04466-52070
446602210
04466-47020
446652151

M,K

D2254

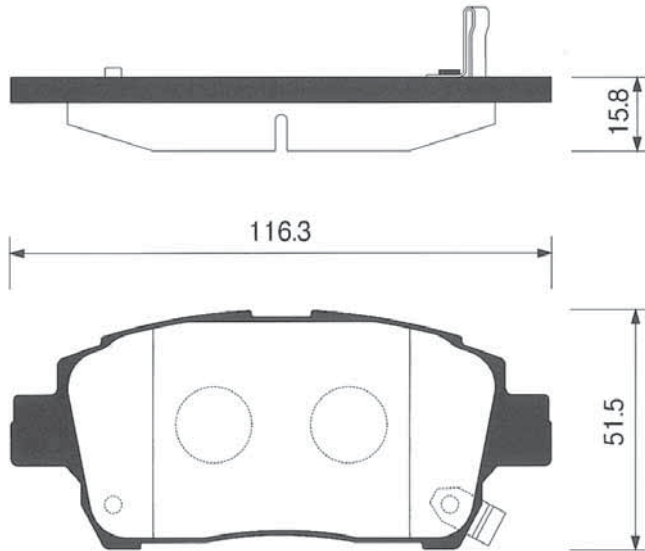
A,K,E

AN-716WK

BEND.

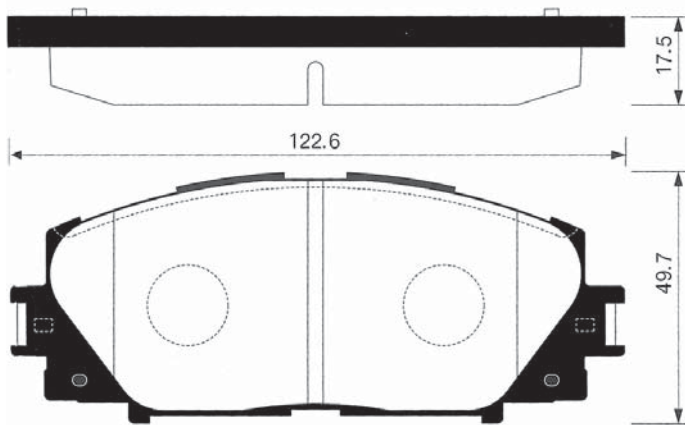
DB1786

| 219 | E.S No. | PO | MAKER |
|-----|----------------|-----------|---------------------------------------|
| | ESD2015 | FR | TOYOTA COROLLA VII, PRIUS I |



| | |
|-----------|--------|
| SP NO. | SP1244 |
| WVA | |
| O. E. No. | |
| M,K | |
| A.K.E | |
| BEND. | |

| 220 | E.S No. | PO | MAKER |
|-----|----------------|-----------|--|
| | ESD2016 | FR | TOYOTA BELTA '05~, IPSUM '07~, PREMIO/ALION '05~, PRIUS '08~, VITZ '06~, YARIS '07~ |



| | |
|-----------|--------|
| SP NO. | SP1377 |
| WVA | |
| O. E. No. | |
| M,K | |
| A.K.E | |
| BEND. | |

| | E_S No. | PO | MAKER |
|------------|----------------|-----------|------------------------------|
| 221 | ESD2017 | FR | TOYOTA AURIS '03~ |



| |
|---|
| SP NO. |
| |
| WVA |
| 24336 |
| O. E. No. |
| 04465-02160 0446502370 04465-02210 04465-02200 04465-02170 04465-02270 0446502330 |
| M,K |
| |
| A,K,E |
| |
| BEND. |
| |

DISC BRAKE PAD

| | E_S No. | PO | MAKER |
|------------|----------------|-----------|------------------------------|
| 222 | ESD2018 | RR | TOYOTA AURIS '03~ |



| |
|--|
| SP NO. |
| |
| WVA |
| |
| O. E. No. |
| 04466-02170 04466-02180 0446602181 |
| M,K |
| |
| A,K,E |
| |
| BEND. |
| |

| | | | |
|-----|----------------|-----------|----------------------------------|
| 223 | E.S No. | PO | MAKER |
| | ESD2019 | FR | TOYOTA TOYOTA HULIX NM |

DISC BRAKE PAD



E · S BRAKE

ESD2019

| |
|--------|
| SP NO. |
| |

| |
|-----|
| WVA |
| |

| |
|----------------------------|
| O. E. No. |
| 04465-0K100 04465-0K130 |

| |
|-----|
| M,K |
| |

| |
|-------|
| A.K.E |
| |

| |
|-------|
| BEND. |
| |

| | E,S No. | PO | MAKER |
|------------|----------------|-----------|-----------------------------|
| 224 | ESD2100 | FR | LANDROVER PAZHAN |



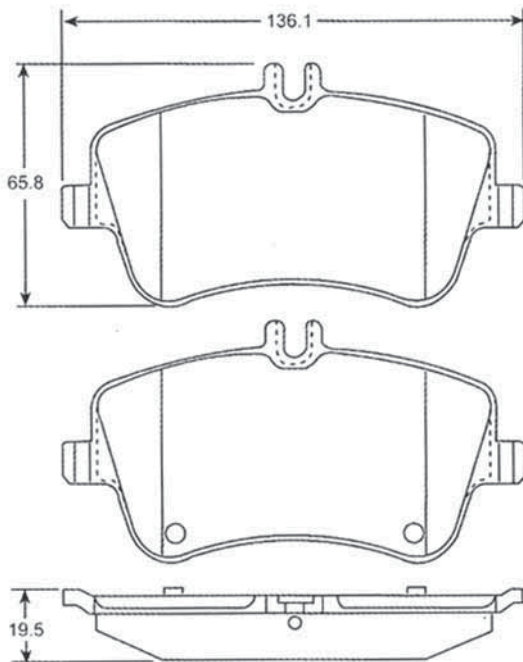
E·S BRAKE

ESD2100

| |
|-----------|
| SP NO. |
| |
| WVA |
| |
| O. E. No. |
| |
| M,K |
| |
| A,K,E |
| |
| BEND. |
| |

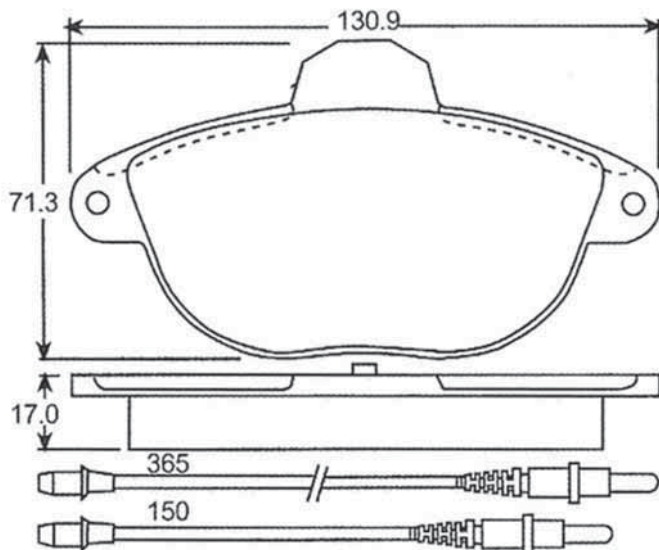
DISC BRAKE PAD

| | E,S No. | PO | MAKER |
|------------|-----------------|-----------|--|
| 225 | ESD2200H | FR | MERCEDEZ C-CLASS, C230 '02~ |



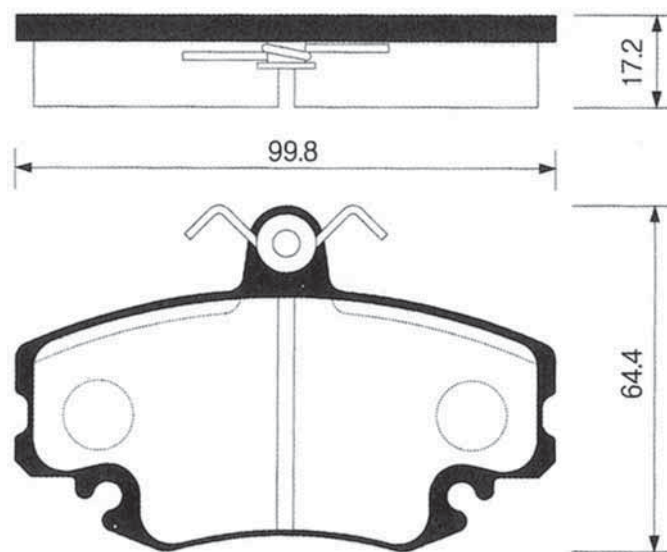
| |
|-----------|
| SP NO. |
| |
| WVA |
| |
| O. E. No. |
| |
| M,K |
| |
| A,K,E |
| |
| BEND. |
| |

| 226 | E.S No. | PO | MAKER |
|-----|----------------|-----------|-------------------------------|
| | ESD3001 | FR | CITROEN XANTIA 2,0 |



| | |
|-----------|---|
| SP NO. | SP1253 |
| WVA | 21632 23148 23149 |
| O. E. No. | 95667810 4251.13 4251.57 4252.92 95667787 |
| M,K | |
| A.K.E | |
| BEND. | 571756B |

| 227 | E.S No. | PO | MAKER |
|-----|----------------|-----------|-----------------------------------|
| | ESD3002 | FR | RENAULT ELISE 1,6, L90 |



| | |
|-----------|-------------------------|
| SP NO. | SP2008 |
| WVA | 21460 21400 21613 |
| O. E. No. | 95658557 |
| M,K | |
| A.K.E | |
| BEND. | 571405B |

| | E_S No. | PO | MAKER |
|------------|----------------|-----------|---------------------------|
| 228 | ESD3003 | RR | CITROEN XANTIA |



| SP NO. |
|--------|
| |

| WVA |
|-----|
| |

| O. E. No. |
|---|
| 4251,83 95667788 95666973 95 654 085 95 659 642 95651047 |

| M,K |
|-----|
| |

| A,K,E |
|-------|
| |

| BEND. |
|---------|
| 571363B |

DISC BRAKE PAD

| | E_S No. | PO | MAKER |
|------------|----------------|-----------|----------------------------|
| 229 | ESD3004 | FR | CITROEN NEW L90 |



| SP NO. |
|--------|
| |

| WVA |
|-----|
| |

| O. E. No. |
|---------------------------|
| 7701204066 4106021920R |

| M,K |
|-----|
| |

| A,K,E |
|-------|
| |

| BEND. |
|-------|
| |